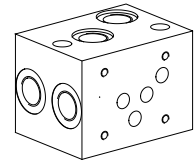


Module type manifold blocks

 • $p_{max} = 350 \text{ bar}$
NG10
 ISO 4401-05

DESCRIPTION

Module type manifold blocks with interface NG10 acc. to ISO 4401-05. Using an adapter plate and connecting blocks, combinations with NG3-Mini, NG4-Mini and NG6 are also possible (see also data sheet 2.9-80). The module type manifold blocks are made from steel and are phosphated.

FUNCTION

The module type manifold blocks are available with 3 different basic circuits, namely parallel, serial and pressure reduction circuit.

APPLICATION

This block system can be used as a replacement for expensive special blocks. Existing systems may be extended or reduced by adding as removing modular blocks.

TYPE CODE

	A	LV	10	<input type="checkbox"/>	#	<input type="checkbox"/>
International standard interface ISO						
Module type manifold						
Nominal size 10						
Type list						
Parallel circuit	<input type="checkbox"/> P					
Serial circuit	<input type="checkbox"/> S					
Pressure reduction circuit	<input type="checkbox"/> D					
Design-Index (Subject to change)						

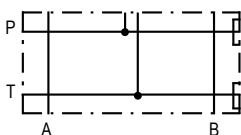
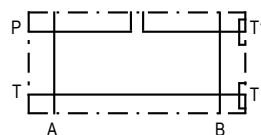
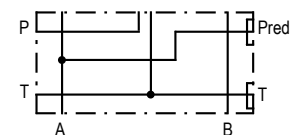
GENERAL SPECIFICATIONS

Description	Parallel-, serial- and pressure reduction circuit
Nominal size	NG10 acc. to ISO 4401-05
Fastening	see data sheet 2.9-126
Connection	Threaded connections A, B, P, T G1/2"
Mounting position	any
Weight:	m = 2,9 kg

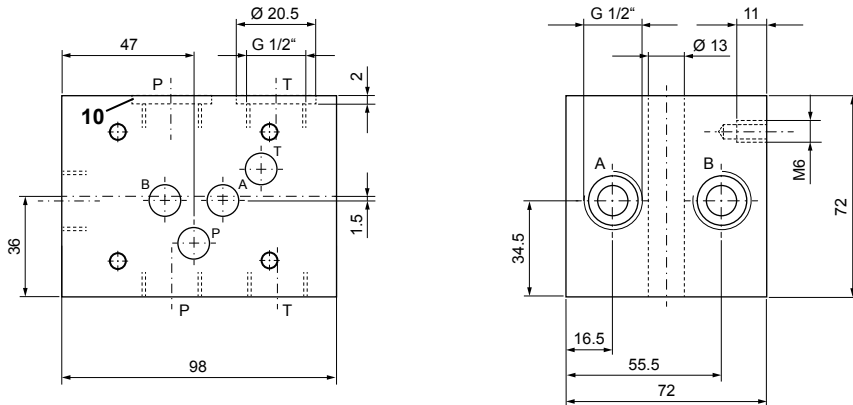
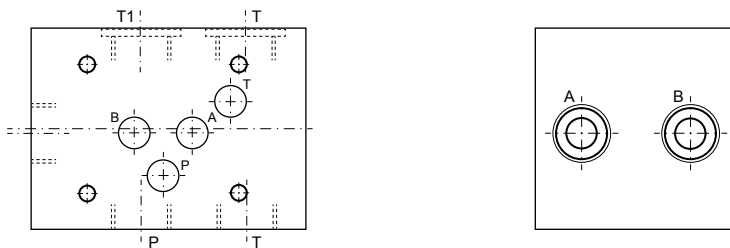
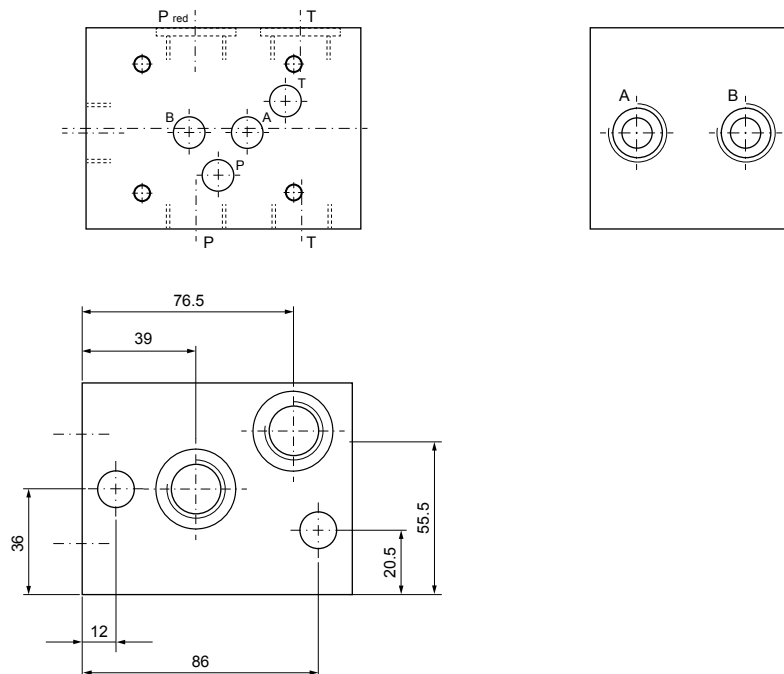
HYDRAULIC SPECIFICATIONS

Working pressure	$p_{max} = 350 \text{ bar}$
------------------	-----------------------------

SYMBOLS

 Block for parallel circuit
 ALV10P

 Block for serial circuit
 ALV10S

 Block for pressure reduction circuit
 ALV10D


DIMENSIONS

 Block for parallel circuit
 ALV10P

 Block for serial circuit
 ALV10S

 Block for pressure reduction circuit
 ALV10D

PARTS LIST

Position	Article	Description
10	160.2238	O-ring ID 23,81x2,62

ACCESSORIES

 Fixing brackets AB101/AB102 and studs
 see data sheet 2.9-126