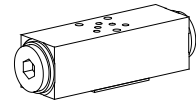


**Non-return valve
hydraulic pilot
Sandwich construction**

- $Q_{max} = 8 \text{ l/min}$
- $p_{max} = 315 \text{ bar}$

NG3-Mini[®]

DESCRIPTION

Sandwich type non-return valve NG3-Mini with hydraulic pilot with interface according to Wandfluh standard. The valves allow a free flow in one direction and shut off in the opposite direction. 3 different standard versions are available. The steel sandwich body is phosphatised. Good performance data and attractive design are the hall marks of this quality product.

FUNCTION

In the free flow direction, the volume flow opens the valve seat against a spring. The spring helps the valve close in the opposite direction. If pressure builds up in the opposite oil port, this displaces the pilot piston and opens the non-return valve of the closed port. The pilot pressure required is dependent on the pressure held by the valve seat.

APPLICATION

Pilot operated non-return valves are used to shut off pressurised hydraulic cylinders, e.g. in lifting or clamping fixtures, without leaking. The hydraulic cylinder can only be moved in the shut off direction if a directional valve directs the volume flow into the opposite port and releases the valve. Reliability in operation is increased by a directional valve which connects both oil ports to the tank in the neutral position. Sandwich type elements NG3 mean that the system is highly flexible and save both space and weight.

TYPE CODE

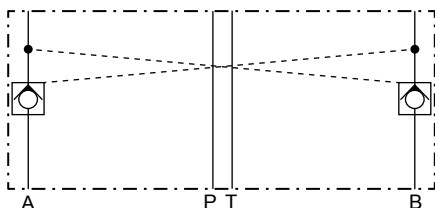
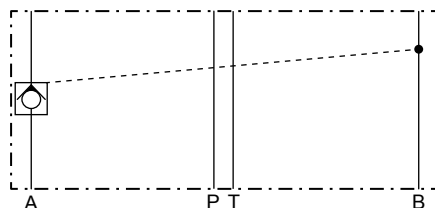
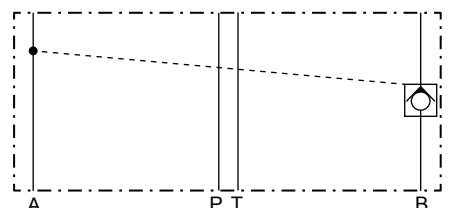
	B	3	#	
Mounting interface acc. to Wandfluh standard				
Type list / Function				
in A and B	DERV			
in A	ERVA	in B	ERVB	
Nominal size 3-Mini				
Design-Index (Subject to change)				

GENERAL SPECIFICATIONS

Description	Non-return valve hydraulic pilot
Nominal size	NG3-Mini acc. to Wandfluh standard
Construction	Sandwich construction
Mounting	3 holes for hexagon socket screw M4 or studs M4
Connections	Connection plates Multi-station flange subplate Longitudinal stacking system
Ambient temperature	-20...+50 °C
Mounting position	any
Fastening torque	$M_D = 2,8 \text{ Nm}$ (Quality 8.8)
Weight	$m = 0,56 \text{ kg}$

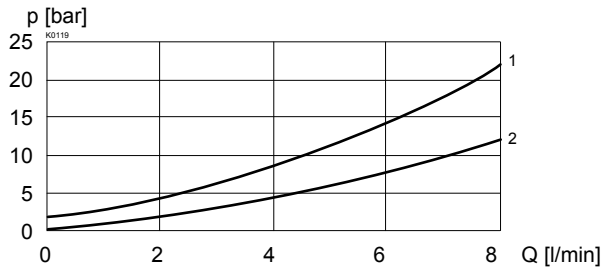
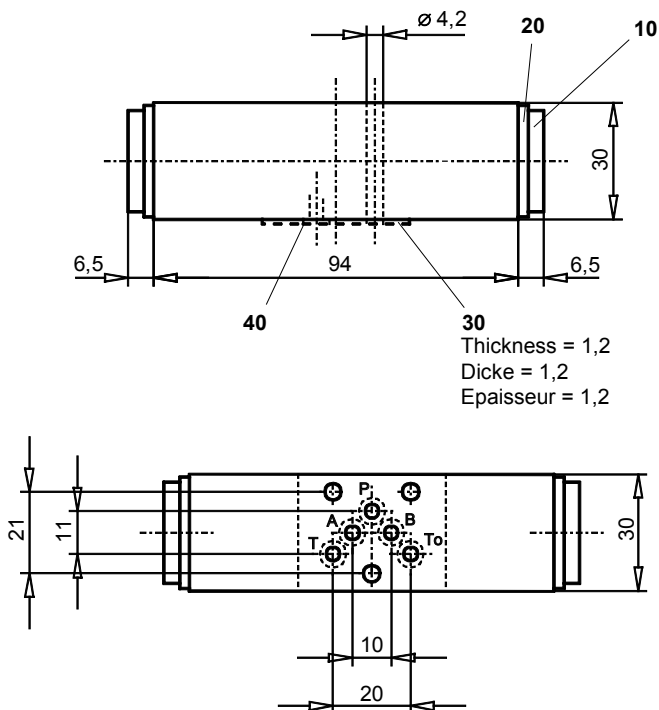
HYDRAULIC SPECIFICATIONS

Fluid	Mineral oil, other fluid on request
Contamination efficiency	ISO 4406:1999, class 20/18/14 (Required filtration grade $\beta_{10...16} \geq 75$) refer to data sheet 1.0-50/2
Viscosity range	12 mm ² /s...320 mm ² /s
Fluid temperature	-20...+70 °C
Peak pressure	$p_{max} = 315 \text{ bar}$
Opening pressure	$p_o = 2 \text{ bar}$
Pilot ratio	$i = 1:8$
Max. volume flow	$Q_{max} = 8 \text{ l/min}$

SYMBOLS / TYPES
BDERV3

BERVA3

BERVB3


CHARACTERISTICS Oil viscosity $\nu = 30 \text{ mm}^2/\text{s}$

$\Delta p = f(Q)$ Pressure drop characteristic
 1 Pressure drop A → Cyl. or B → Cyl.
 2 Pressure drop Cyl. → A or Cyl. → B
 with check valve fully open


DIMENSIONS

PARTS LIST

Position	Article	Description
10	239.2003	Plug G1/2"
20	49.2212	Bounded seal 21,5x28,7x2,5
30	173.0650	Seal plate PDSA03
40	160.2045	O-Ring ID 4,5x1,5

Technical explanation see data sheet 1.0-100