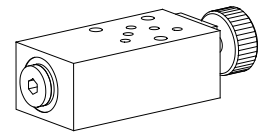


**Drain valve**
**Sandwich construction**

- $Q_{max} = 25 \text{ l/min}$
- $p_{max} = 350 \text{ bar}$

**NG4-Mini<sup>®</sup>**

**DESCRIPTION**

Drain valve NG4-Mini with interface acc. to Wandfluh standard. Sandwich design. Valves for 3 flow directions are available. The sandwich body is made from phosphated steel. The turn knob from anodised aluminium.

**FUNCTION**

Aspherical, hardened closing element seals the pressurised part leak free against tank port. By turning the knob the connection to tank will be opened. Knob may be blocked in any position by a set screw.

**APPLICATION**

Drain valves are mainly used in systems with an accumulator which need to be depressurised for revisions. Among the benefits from NG 4 Mini sandwich elements are flexibility in system lay-out, small space requirement and low weight.

**TYPE CODE**

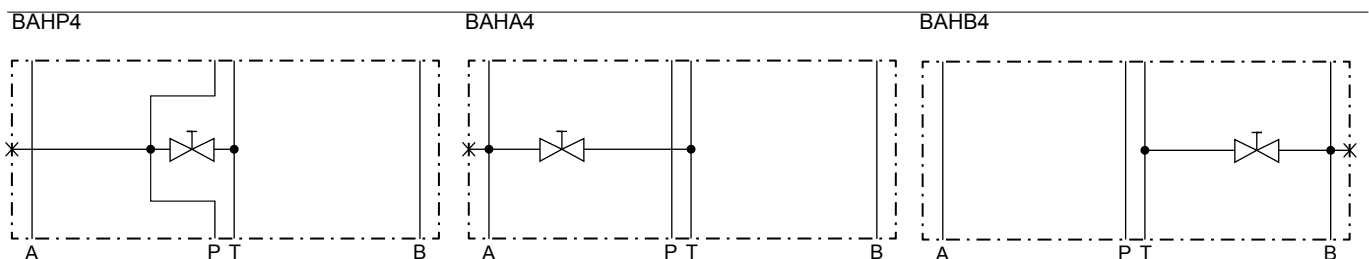
		B	AH	<input type="checkbox"/>	4 /	<input type="checkbox"/>	#	<input type="checkbox"/>
Mounting interface acc. to Wandfluh standard								
Drain valve								
Type list / Function								
P → T	<input type="checkbox"/>							
A → T	<input type="checkbox"/>							
B → T	<input type="checkbox"/>							
Normal size 4-Mini								
Threaded connection open	<input type="checkbox"/>							
Screw plug	<input type="checkbox"/>							
Minimess screw coupling	<input type="checkbox"/>							
Design-Index (Subject to change)								

**GENERAL SPECIFICATIONS**

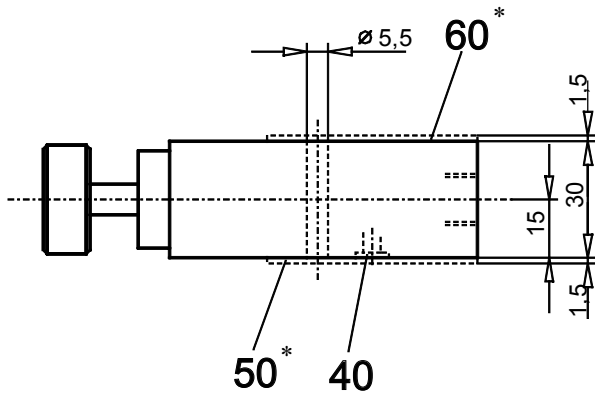
Description	Drain valve
Nominal size	NG4-Mini acc. to Wandfluh standard
Construction	Sandwich construction
Mounting	3 holes for hexagon socket screw M5 or studs M5
Connections	Connection plates Multistation flange subplate Longitudinal stacking system
Ambient temperature	-20...+50 °C
Mounting position	any
Fastening torque	$M_D = 5,5 \text{ Nm}$ (Quality 8.8)
Weight	$m = 0,75 \text{ kg}$

**HYDRAULIC SPECIFICATIONS**

Fluid	Mineral oil, other fluid on request
Contamination efficiency	ISO 4406:1999, class 20/18/14 (Required filtration grade $\beta_{10...16} \geq 75$ ) refer to data sheet 1.0-50/2
Viscosity range	12 mm <sup>2</sup> /s...320 mm <sup>2</sup> /s
Fluid temperature	-20...+70 °C
Peak pressure in ports A, B, P	$p_{max} = 350 \text{ bar}$
Peak pressure port T	$p_{max} = 50 \text{ bar}$
Max. volume flow	$Q_{max} = 25 \text{ l/min}$

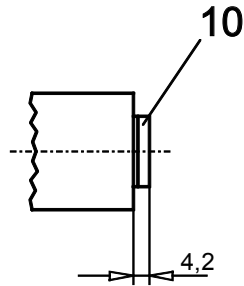
**SYMBOLS / TYPES**


DIMENSIONS

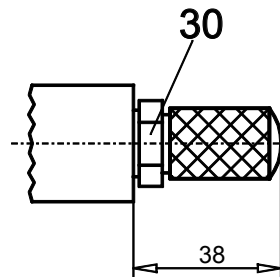


\* only BAHB4/ .

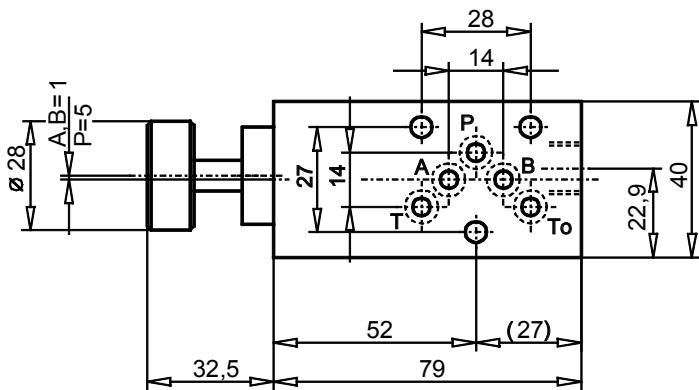
BAH.4/O



BAH.4/V



BAH.4/M



On types BAHB, P4 the adjustment is located on B-side

PARTS LIST

Position	Article	Description
10	238.2204	Plug VSTI G1/4"-ED
30	152.9101	Mini-mess fitting 1620/1/4"
40	160.2052	O-ring ID 5,28x1,78
50	173.1700	Intermediate plate BZB4
60	173.1650	Sealing plate BDB4

Technical explanation see data sheet 1.0-100