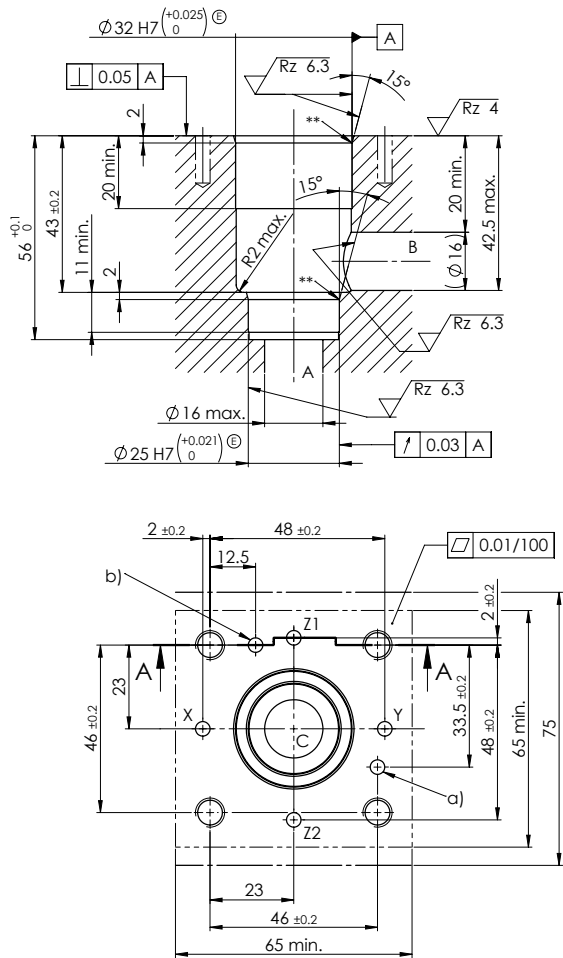


Cavity for CS16, CM16, CD16



----- min. contact surface for cover
 _____ min. distance for cover at
 min. two slip-in cartridge valves

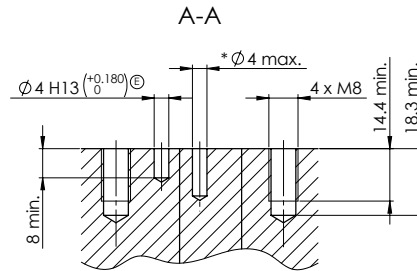
* Control lines X, Y, Z1 and Z2 (Ø4 max.) are only drilled if required

** Burr-free rounded

a) Bore for main pressure relief fixing pin

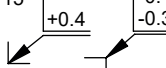
b) Bore for fixing pin other functions

further information can be found in the ISO 7368:2016 standard

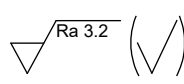


(Drawing-no. 8-001.4)

Edges according to ISO 13715



Surface texture



Length dimensions, curves, chamfers
 Angles
 Straightness, flatness
 Perpendicularity, symmetry
 Radial runout, axial runout
 Envelope condition acc. to ISO 14405 ⊕

General tolerances ISO 2768

Extract general tolerances ISO-2768-1

Nominal dim.	>0,5-3	>3-6	>6-30	>30-120
Linear dim.	±0.1	±0.1	±0.2	±0.3
Radiuses, chamfer height	±0.2	±0.5	±1	

Cavity tools

Denomination: **Article number:** **Content:** **Article number:**

Application

Cartridge type: **Data sheet number:** **Cartridge type:** **Data sheet number:**

C.16-... 1.12-210
 C.EN16-... 1.12-215