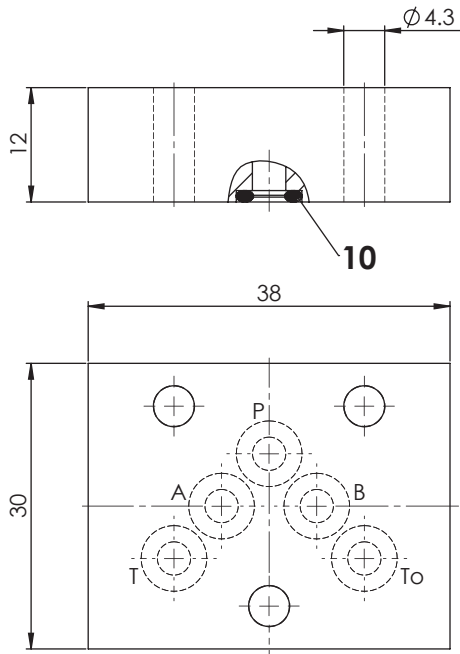
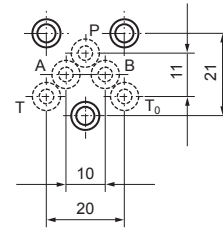




## DIMENSIONS



## HYDRAULIC CONNECTION



## PARTS LIST

Position	Article	Description
10	160.2045	O-ring ID 4,50 x 1,50 (NBR)
	160.6045	O-ring ID 4,50 x 1,50 (FKM)

## SURFACE TREATMENT

- ◆ The plates made of steel are zinc-nickel coated

## SEALING MATERIAL

NBR or FKM (Viton) as standard, choice in the type code

## STANDARDS

Mounting interface | Wandfluh standard