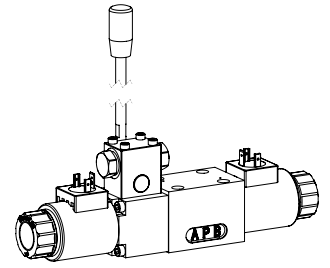


Solenoid operated spool valve with additional hand lever actuation

Flange construction

- ◆ 4/3-way with spring centered mid position
- ◆ $Q_{max} = 80 \text{ l/min}$
- ◆ $p_{max} = 350 \text{ bar}$

NG6
ISO 4401-03



DESCRIPTION

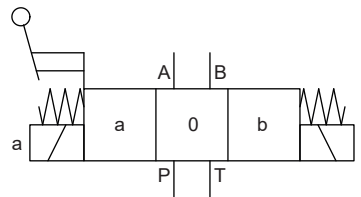
Spool valve according to data sheet 1.2-59 with additional hand lever actuation.

Note! The standard valve cannot be retrofitted.



SYMBOL

Overview spool types see data sheet 1.2-59

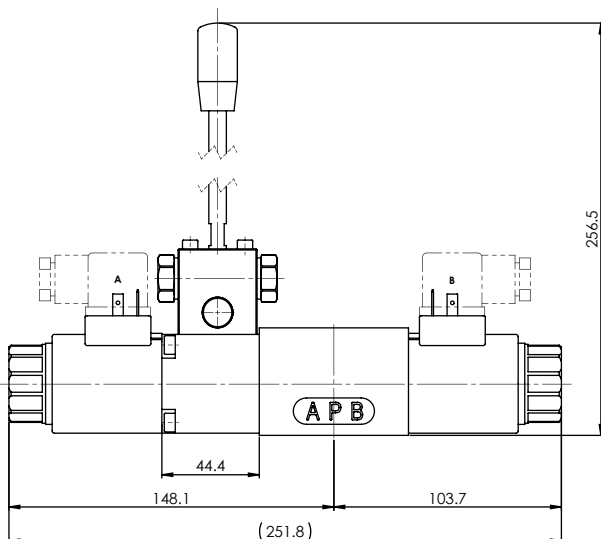


TYPE CODE

Spool valve, direct operated	WD M F A06 -	Z568 # 2
Slip-on coil Medium		
Flange construction		
International standard interface ISO NG6		
Other type designation according to type code data sheet 1.2-59		
Hand lever		
Design index (subject to change)		

1.2-63

DIMENSIONS



GENERAL SPECIFICATIONS

Weight : WDMFA06 +1,0 kg

Note! Other specifications, see data sheet 1.2-59



SURFACE TREATMENT

- ◆ The flange, the housing and the lever are zinc-nickel coated

Wandfluh AG Postfach CH-3714 Frutigen
Tel. +41 33 672 72 72 Fax +41 33 672 72 12 sales@wandfluh.com