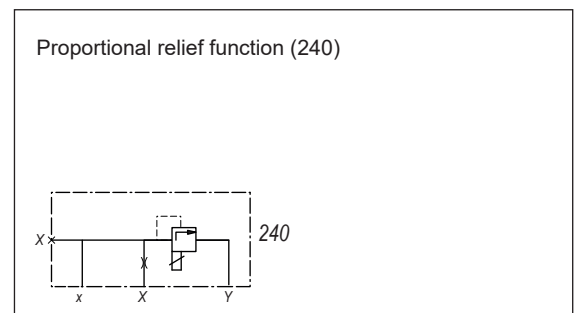
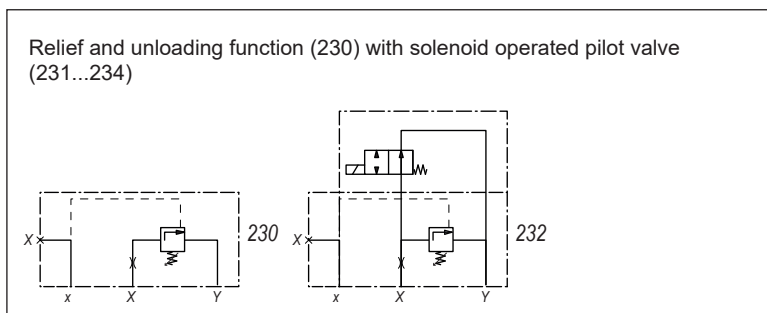
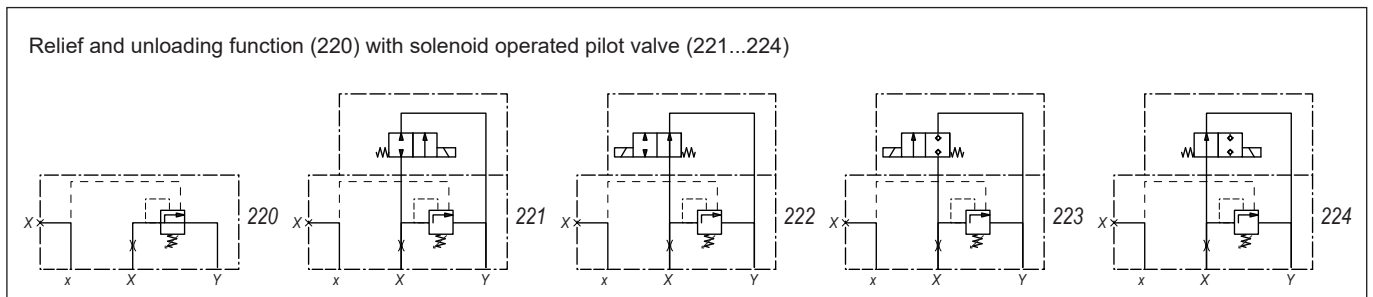
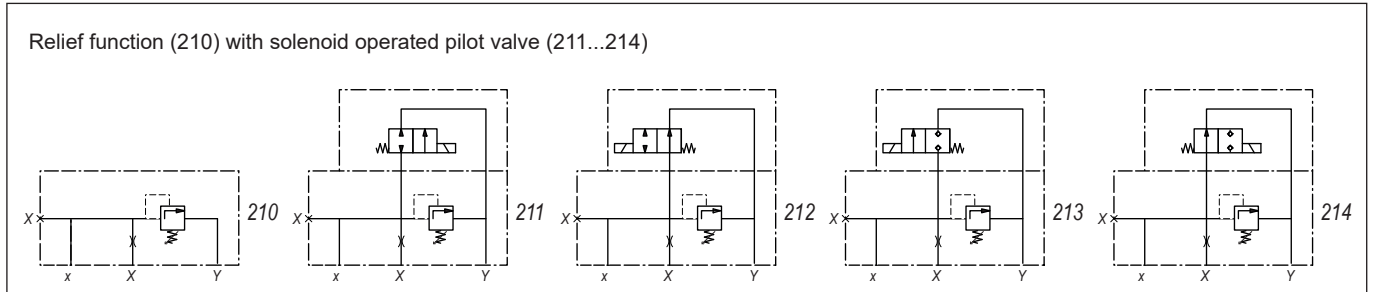


**Control cover  
for pressure function**

 •  $p_{max} = 350 \text{ bar}$ 
**NG 40**  
 ISO 7368

**TYPE CODE**

Control cover	D 40				<input type="checkbox"/>	-	<input type="checkbox"/>	/	<input type="checkbox"/>	-	<input type="checkbox"/>	#	<input type="checkbox"/>
Size 40	D 40												
Pilot no. 210...240	D 40												
Solenoid type for pilot valve													
Standard	211, 212, 221, 222, 231, 232	<input type="checkbox"/>	M	..	/	WD							
	213, 214, 223, 224, 233, 234	<input type="checkbox"/>	S										
	240	<input type="checkbox"/>	..	/	WD								
Nominal voltage $U_N$	12 VDC	<input type="checkbox"/>	G12			115 VAC	<input type="checkbox"/>	R115					
	24 VDC	<input type="checkbox"/>	G24			230 VAC	<input type="checkbox"/>	R230					
Orifice in cover	0.6 mm	<input type="checkbox"/>	0.6										
	1.0 mm	<input type="checkbox"/>	1.0	etc.									
Omit if without orifice													
Setting versions S, D, K, A (not applicable at cover 240) and press. range from press. valve												e.g. <input type="checkbox"/> D250	
Design-Index (Subject to change)													

**GENERAL SPECIFICATIONS**

Construction	Control cover for directional function
Mounting position	any
Installation dimension	see dimension to ISO 7368 see data sheet 2.13-1024
Ambient temperature	-25...+70 °C
Fastening torque	M <sub>D</sub> = 370 Nm (Qual. 8.8) for fixing screws

**HYDRAULIC SPECIFICATIONS**

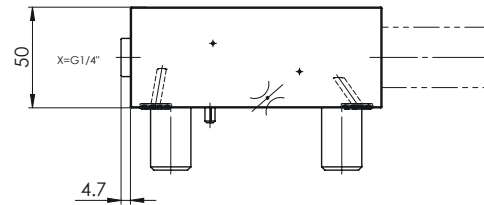
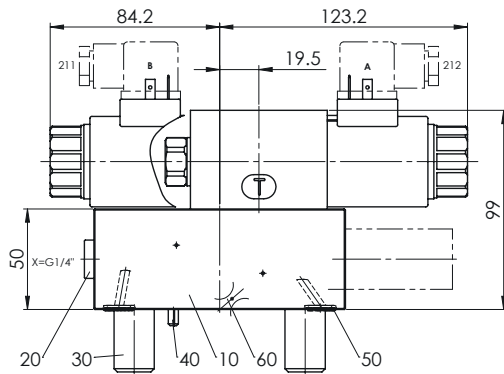
Fluid	Mineral oil, other fluid on request
Contamination efficiency	ISO 4406:1999, class 18/16/13 (Required filtration grade β <sub>6</sub> ...10≥75) see data sheet no. 1.0-50/2
Viscosity range	12 mm <sup>2</sup> /s to 320 mm <sup>2</sup> /s
Fluid temperature	-20...+70 °C
Operation pressure	p <sub>max</sub> = 350 bar

**DIMENSIONS**

211, 221, 231

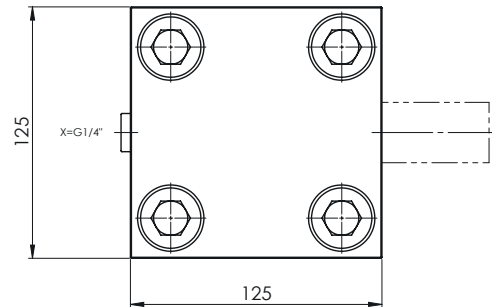
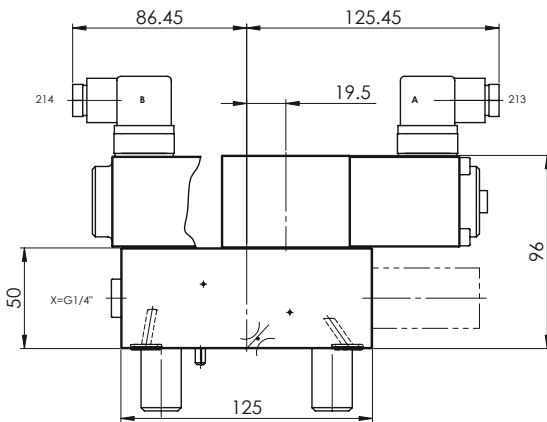
212, 222, 232

210, 220, 230, 240



214, 224, 234

213, 223, 233


**VALVES**

Pilot operated valves:	211, 221, 231	WDMFA06-AB2	Data sheet 1.2-59
	212, 222, 232	WDMFA06-AB1	Data sheet 1.2-59
	213, 223, 233	AS22061a	Data sheet 1.11-2140
	214, 224, 234	AS22060b	Data sheet 1.11-2140
Pressure valves:	210...214	BA.PM22	Data sheet 2.1-540
	220...224	BY.PM22	Data sheet 2.1-544
	230...234	BX.PM22	Data sheet 2.1-544
	240	BDPPM22	Data sheet 2.3-540
Pressure ranges from press. valves:	210...214	63, 160, 315, 350 [bar]	
	220...224	100, 315 [bar]	
	230...234	100, 315 [bar]	
	240	40, 100, 200, 315 [bar]	

**PARTS LIST**

Position	Article	Description
10	063.3021	Plate to 210, 220, 230, 240
	063.3022	Plate to other types
20	238.2406	Locking screw VSTI G1/4"
30	246.8160	Cyl. screw M20x60 DIN912
40	221.2470	Pin Ø5x16 DIN1481
50	160.2107	O-ring ID 10,77x2,62
60	118.2032	Orifice M5 / 0,8 x 5
	118.2052	Orifice M5 / 0,9 x 5
	118.2031	Orifice M5 / 1,0 x 5
	118.2058	Orifice M5 / 1,2 x 5
	118.2072	Orifice M5 / 1,5 x 5