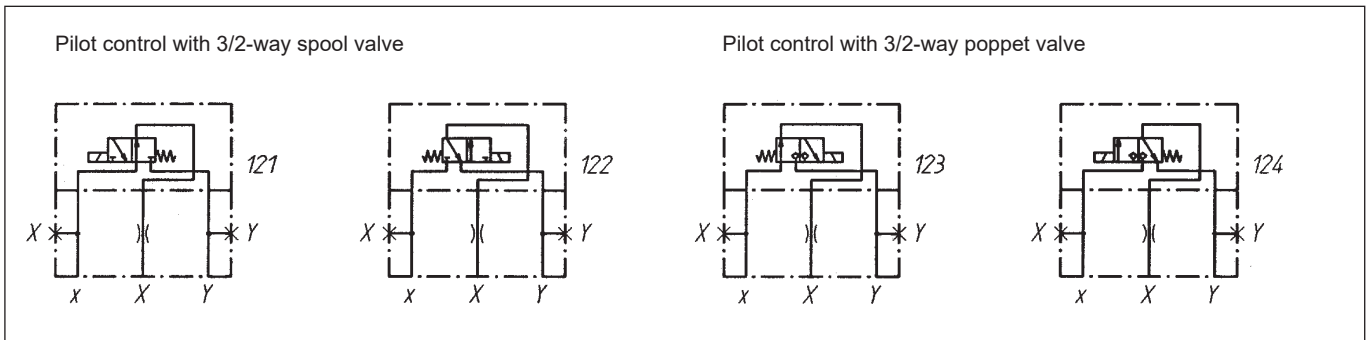
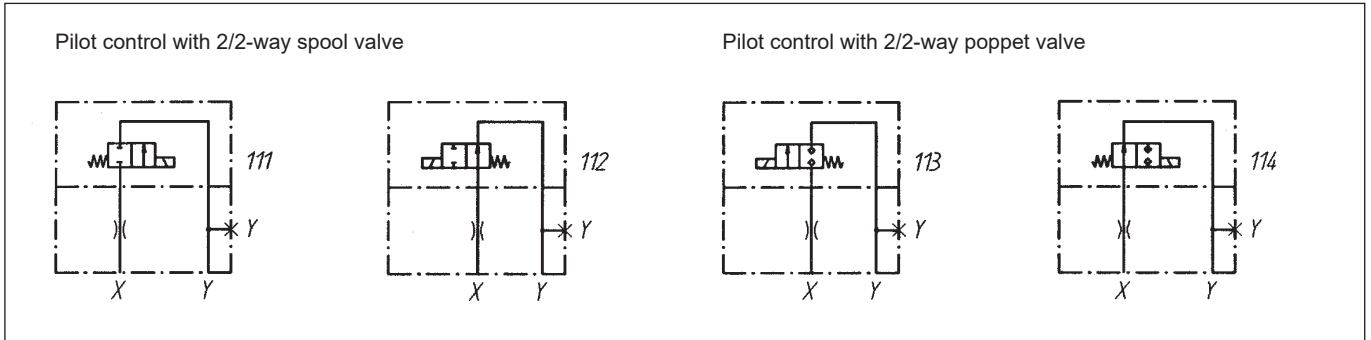


Control cover
 for directional function
 • $p_{max} = 350 \text{ bar}$

NG 16
 ISO 7368



TYPE CODE

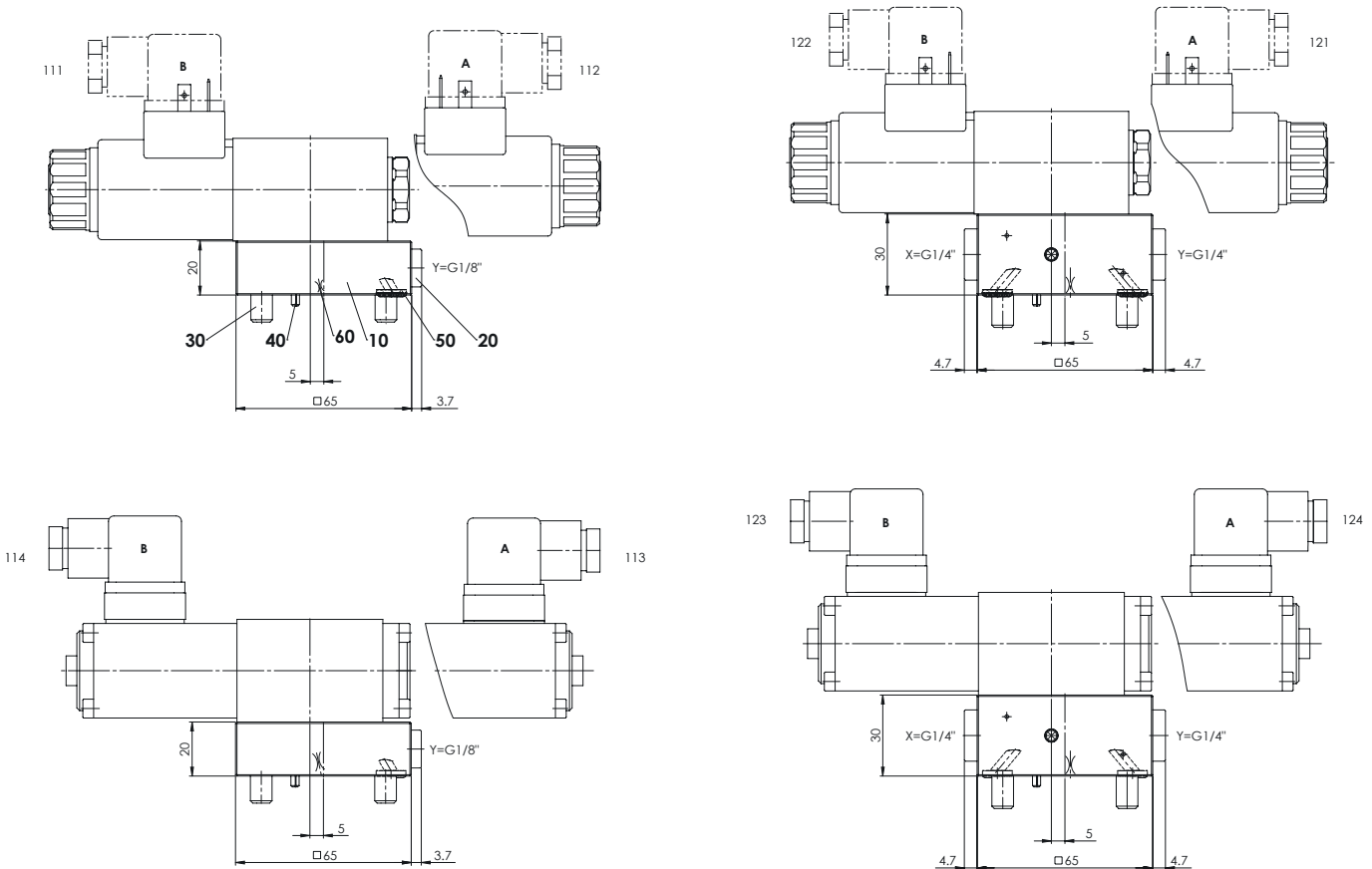
Control cover					D	16		-		/	#	
Size 16												
Pilot no. 111...124												
Solenoid type for pilot valve												
Standard	111, 112, 121, 122				M	.. / VD (only G12 and G24)						
	113, 114, 123, 124				M	.. / ND						
					S							
Nominal voltage U_N	12 VDC	G12			115 VAC	R115						
	24 VDC	G24			230 VAC	R230						
Orifice in cover	0.6 mm	0.6			1.0 mm	1.0						
Omit if without orifice						etc.						
Design-Index (Subject to change)												

GENERAL SPECIFICATIONS

Construction	Control cover for directional function
Mounting position	any
Installation dimension	see dimension to ISO 7368
Ambient temperature	-25...+70 °C
Fastening torque	M _d = 25 Nm (Qual. 8.8) for fixing screw

HYDRAULIC SPECIFICATIONS

Fluid	Mineral oil, other fluid on request
Contamination efficiency	ISO 4406:1999, class 18/16/13 (Required filtration grade β ₆ ...10 ≥ 75) see data sheet no. 1.0-50/2
Viscosity range	12 mm ² /s to 320 mm ² /s
Fluid temperature	-20...+70 °C
Operation pressure	p _{max} = 350 bar

DIMENSIONS

PILOT VALVES

Pilot operated valves:	111, 122	WDMFA04-AB2	Data sheet 1.2-33
	112, 121	WDMFA04-AB1	Data sheet 1.2-33
	113	BS22041a	Data sheet 1.11-2120
	114	BS22040b	Data sheet 1.11-2120
	123	BS32040b	Data sheet 1.11-2120
	124	BS32041a	Data sheet 1.11-2120

PARTS LIST

Position	Article	Description
10	063.0009 063.0026	Plate to 111, 112, 113, 114 Plate to other types
20	238.1405 238.2406	Locking screw VSTI G1/8" Locking screw VSTI G1/4"
30	246.4121 246.4131	Cylinder screw M8x20 DIN912 Cylinder screw M8x30 DIN912
40	221.2255	Pin ∅3x10 DIN1481
50	160.2061	O-Ring ID 6,02x2,62
60	118.2051 118.2030 118.2032 118.2052 118.2031	Orifice M5 / 0,6 x 5 Orifice M5 / 0,7 x 5 Orifice M5 / 0,8 x 5 Orifice M5 / 0,9 x 5 Orifice M5 / 1,0 x 5