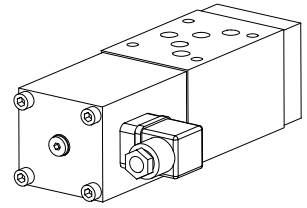
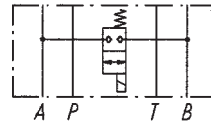


Solenoid poppet valve

- 2/2-way sandwich construction
- $Q_{max} = 80 \text{ l/min}$
- $p_{max} = 160 \text{ bar (ZM22...)}$
 $= 350 \text{ bar (ZS22...)}$

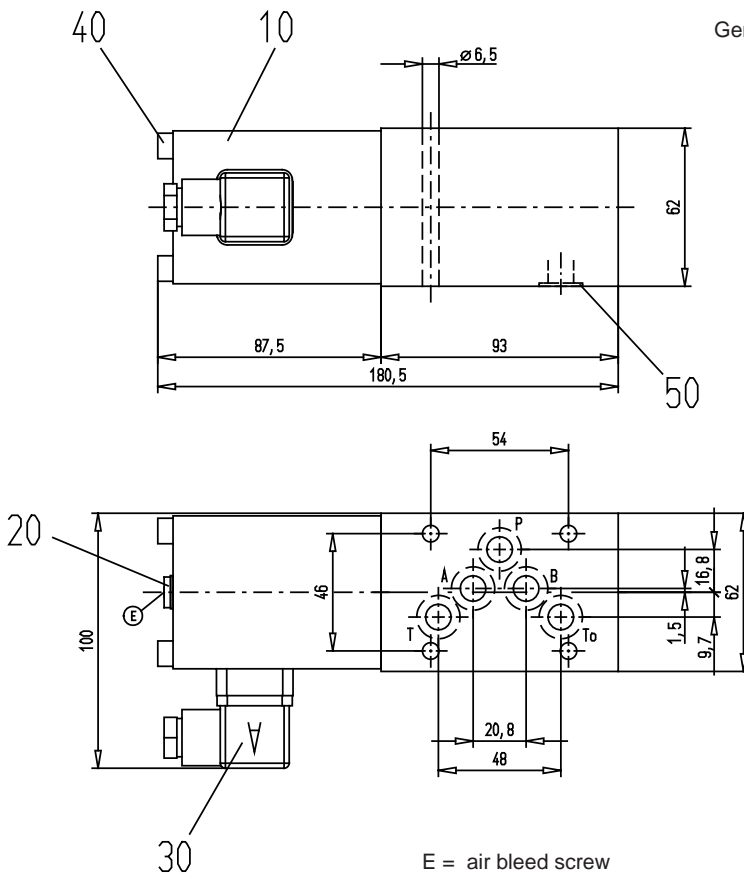
NG10
 ISO 4401-05

TYPE CODE

 ZM22101a-S754-G24
 ZS22101a-S754-G24

SYMBOL

DIMENSIONS

General Specifications

see datasheet 1.11-2560


PARTS LIST

Position	Article	Description
10	260.8453 260.9453	Medium-solenoid SIN60V-G24 Super-solenoid SIS60V-G24
20	239.2033	Plug (incl. seal ring) HB0
30	219.2001	Plug (grey)
40	246.3190	Cyl. screw M6x90
50	160.2140	O-ring ID 14,00x1,78