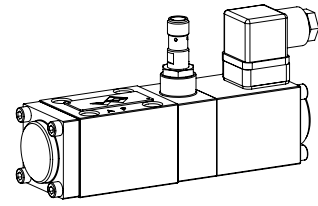


Solenoid operated poppet valve with additional inductive switching position monitoring

NG6
ISO 4401-03


Flange construction

- ◆ 2/2- and 3/2-way
- ◆ normally open and normally closed
- ◆ $Q_{max} = 40$ l/min
- ◆ $p_{max} = 350$ bar

DESCRIPTION

Solenoid operated poppet valve according to data sheet 1.11-2140 with additional inductive switching position monitoring. The contactless sensor transmits the poppet position to a step signal.

TYPE CODE

2/2 or 3/2 way execution

 A 2 06 - - #

International standard interface ISO

 Solenoid, Medium
 Solenoid, Super

 M
 S

 2 way (connections)
 3 way (connections)

 2
 3

2 switching positions

Nominal size 6

 Normally closed
 Normally open

 Solenoid on A-side 1a
 Solenoid on B-side 0b

Other type designation according to type code data sheet 1.11-2140

 Polarity /Signal output /Monitoring
 PNP / NO or NC
 NPN / NO

 Solenoid on A-side P1a Solenoid on B-side P1b
 Solenoid on A-side P2a Solenoid on B-side P2b

Design index (subject to change)

1.11-2142

GENERAL SPECIFICATIONS

Weight 2,25 kg

| Sensor Specifications: | |
|------------------------|---|
| Operating voltage | 10...36 VDC |
| Signal current | max. 200 mA |
| Protection class | IP 68 According to the connection type, the protection class of the valve can be lower, see data sheet 1.11-2140 |
| Dimensions | M12 x 1 |
| Ambient temperature | -25...+70 °C |
| Fastening torque | 7,5 Nm |

ACCESSORIES

Mating connector (plug female)

| | |
|--------------------------|----------------------|
| straight, screw terminal | Article no. 219.2978 |
| 90°, screw terminal | Article no. 219.3003 |

SURFACE TREATMENT

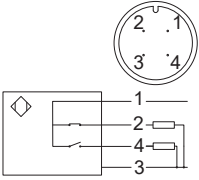
- ◆ The valve body is painted with a two component paint
- ◆ The solenoid, the flange and the cover are zinc-nickel coated
- ◆ The socket head screws are zinc coated

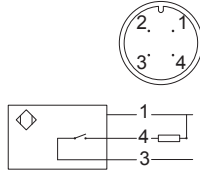
Note!

Other specifications, see data sheet 1.11-2140



ELECTRICAL CONNECTION

| | |
|---|--|
| Type: | PNP, NO (Normally open) or NC (Normally closed) |
| Designation: | P1 |
| Article no.: | 205.5028 |
| Device receptacle | M12, 4 pole male |
| |  <p>1 = Supply voltage + 2 = Signal NC 3 = Supply voltage 0 VDC 4 = Signal NO Plus switched</p> |
| Mating connector (not included in delivery) | M12, 4 pole female |

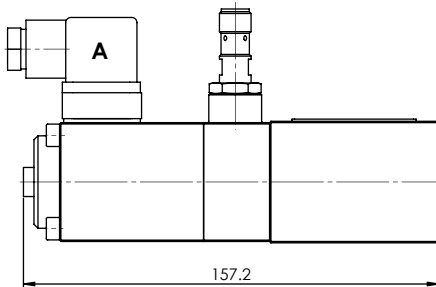
| | |
|---|---|
| Type: | NPN, NO (Normally open) |
| Designation: | P2 |
| Article no.: | 205.5027 |
| Device receptacle | M12, 4 pole male |
| |  <p>1 = Supply voltage + 2 = Reserved for extensions 3 = Supply voltage 0 VDC 4 = Signal Minus switched</p> |
| Mating connector (not included in delivery) | M12, 4 pole female |

Signal characteristics

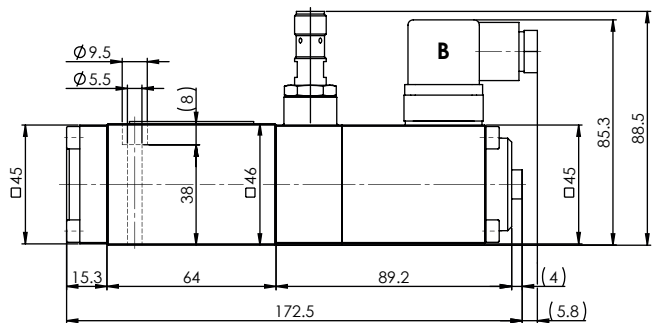
| Signal of the actuator | Signal of the sensor | |
|------------------------|----------------------|-----------------------|
| | NO Normally open | NC Normally closed |
| A / B | S1 | S1 |
| 0 | 0 | 1 |
| 1 | 1 | 0 |

DIMENSIONS

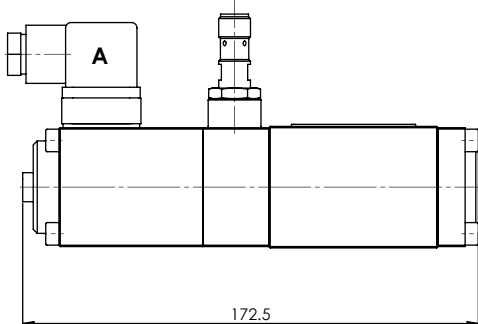
22061 (solenoid on A side)



22060 (solenoid on B side)



32061 (solenoid on A side)



32060 (solenoid on B side)

