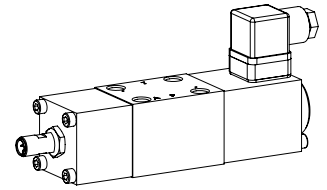


Solenoid operated poppet valve with additional inductive switching position monitoring

NG6
ISO 4401-03


Flange construction

- ◆ 2/2- and 3/2-way
- ◆ normally open and normally closed
- ◆ $Q_{max} = 40 \text{ l/min}$
- ◆ $p_{max} = 350 \text{ bar}$

DESCRIPTION

Solenoid operated poppet valve according to data sheet 1.11-2140 with additional inductive switching position monitoring. The contactless sensor transmits the poppet position to a step signal.

TYPE CODE

2/2 or 3/2 way execution			A	<input type="checkbox"/>	<input type="checkbox"/>	2	06	<input type="checkbox"/>	-	<input type="checkbox"/>	-	<input type="checkbox"/>	#	<input type="checkbox"/>
International standard interface ISO														
Solenoid, Medium		<input type="checkbox"/> M												
Solenoid, Super		<input type="checkbox"/> S												
2 way (connections)		<input type="checkbox"/> 2												
3 way (connections)		<input type="checkbox"/> 3												
2 switching positions														
Nominal size 6														
Normally closed	Solenoid on A-side													
Normally open	Solenoid on B-side													
Other type designation according to type code data sheet 1.11-2140														
Polarity /Signal output /Monitoring														
PNP / NO / Single		<input type="checkbox"/> Z603												
PNP / NC / Single		<input type="checkbox"/> Z482												
NPN / NO / Single		<input type="checkbox"/> Z680												
Design index (subject to change)														
1.11-2142														

GENERAL SPECIFICATIONS

Weight 2,25 kg

Sensor Specifications:

Nominal voltage	24 VDC
Operating voltage	10...30 VDC
Signal current	max. 200 mA
Switching frequency	2000 Hz
Protection class	IP 68
	According to the connection type, the protection class of the valve can be lower, see data sheet 1.11-2140
Dimensions	M12 x 1
Ambient temperature	-25...50 °C
Fastening torque	15 Nm
Peak pressure	500 bar

ACCESSORIES

Mating connector (plug female)

straight, screw terminal Article no. 219.2978

90°, screw terminal Article no. 219.3003

SURFACE TREATMENT


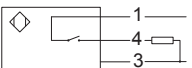
- ◆ The valve body is painted with a two component paint
- ◆ The solenoid, the flange and the cover are zinc coated
- ◆ The socket head screws are zinc coated


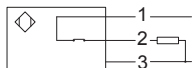
Note!


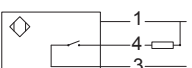
Other specifications see data sheet 1.11-2140



ELECTRICAL CONNECTION

Type:	PNP, NO (Normally open)
Designation:	Z603
Article no.:	205.5024
Device receptacle	M12, 4 pole male
Mating connector	M12, 4 pole female
	 <p>1 = Supply voltage + 2 = Reserved for extensions 3 = Supply voltage 0 VDC 4 = Signal Plus switched</p>
	
Mating connector not included in delivery	

Type:	PNP, NC (Normally closed)
Designation:	Z482
Article no.:	205.5023
Device receptacle	M12, 4 pole male
Mating connector	M12, 4 pole female
	 <p>1 = Supply voltage + 2 = Signal 3 = Supply voltage 0 VDC 4 = Reserved for extensions Plus switched</p>
	
Mating connector not included in delivery	

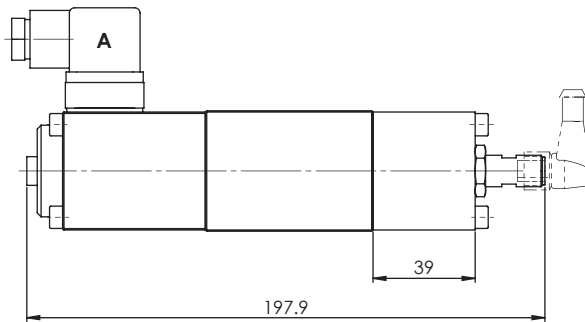
Type:	NPN, NO (Normally open)
Designation:	Z680
Article no.:	205.5026
Device receptacle	M12, 4 pole male
Mating connector	M12, 4 pole female
	 <p>1 = Supply voltage + 2 = Reserved for extensions 3 = Supply voltage 0 VDC 4 = Signal Minus switched</p>
	
Mating connector not included in delivery	

Signal characteristics

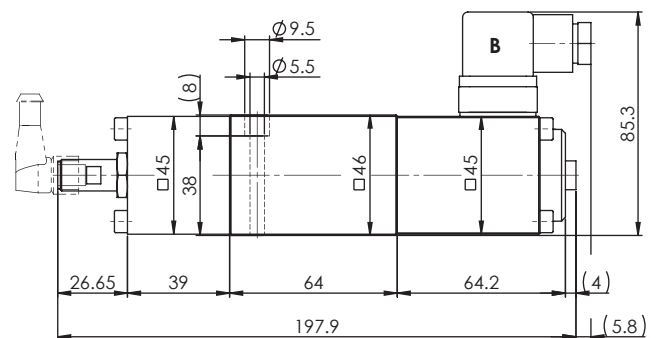
Signal of the actuator	Signal of the sensor	
	NO Normally open	NC Normally closed
A / B	S1	S1
0	0	1
1	1	0

DIMENSIONS

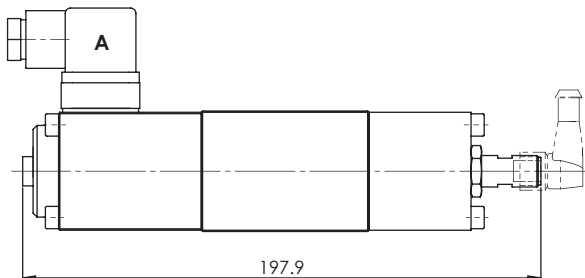
22061 (solenoid on A side)



22060 (solenoid on B side)



32061 (solenoid on A side)



32060 (solenoid on B side)

