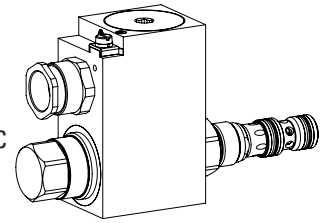


Solenoid operated poppet valve cartridge stainless

- ◆ solenoid actuated
- ◆ direct operated
- ◆ 3/2-way
- ◆ $Q_{max} = 10 \text{ l/min}$
- ◆ $p_{max} = 350 \text{ bar}$
- ◆ low power

M22 x 1,5
ISO 7789

- ⊕ II 2 G Ex db IIC T6, T4
 - ⊕ II 2 D Ex tb III C T80 °C, T130 °C
 - ⊕ I M2 Ex db I Mb
- Class I Division 1
 Class I Zone 1



DESCRIPTION

Direct operated 3/2-way solenoid poppet valve in screw-in cartridge construction for cavity according to ISO 7789. By means of the pressure tight switching solenoid, the pressure compensated, metallically sealing poppet spool is either opened or closed. The seat spool guide is sealed by means of an O-ring. The pressure tight encapsulated Ex-protection solenoid coil prevents an explosion on the inside penetrating to the outside as well as an ignitable surface temperature.

APPLICATION

These valves are suitable for applications in explosion-hazard areas, open cast and also in mines. The stainless execution is especially suitable for the use in wet and salty environment. Poppet valves are used where tight closing functions of the valve are essential like leakage-free load holding, clamping or gripping. For machining the cartridge cavity in steel and aluminum blocks, cavity tools are available (hire or purchase). Please refer to the data sheets in register 2.13.

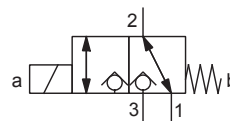
CERTIFICATES

	Surface	Mining	Standard -25°C to...
ATEX	x	x	x
IECEX	x	x	x
CCC	x	x	x
EAC	x	x	x
Australia	x	x	x

The certificates can be found on www.wandfluh.com

SYMBOL

FG



TYPE CODE

		S L Y PM22 - FG - <input type="text"/> / <input type="text"/> <input type="text"/> - <input type="text"/> <input type="text"/> # <input type="text"/>	
Poppet valve			
Direct operated, Low wattage			
Ex-protection execution, Exd			
Screw-in cartridge M22 x 1,5			
Designation of symbols			
Nominal voltage U_N	24 VDC	<input type="text" value="G24"/>	
Nominal power P_N	6 W 6 W	<input type="text" value="L6R4"/> <input type="text" value="L6"/>	Holding power 4 W
Certification	ATEX, IECEX, EAC, CCC Australia	<input type="text"/> <input type="text" value="AU"/>	
Sealing material	NBR FKM (Viton)	<input type="text"/> <input type="text" value="D1"/>	
Stainless	with K8 coil with K9 coil	<input type="text" value="K9"/> <input type="text" value="K10"/>	
Design index (subject to change)			

1.11-2066S

GENERAL SPECIFICATIONS

Designation	3/2-way poppet valve
Construction	Direct operated
Mounting	Screw-in cartridge construction
Nominal size	M22 x 1,5 according to ISO 7789
Actuation	Ex-protection switching solenoid
Ambient temperature	Operation as T4 -25...+70 °C (L6, L6R4T4)
Weight	2,4 kg (3/2-way)
MTTFd	150 years

ELECTRICAL SPECIFICATIONS

Protection class	IP65 / 66 / 67
Relative duty factor	100 % DF
Switching frequency	5'000 / h
Voltage tolerance	± 10 % with regard to nominal voltage
Standard nominal voltage	24 VDC
Standard nominal power	6 W 6 W with 4 W holding power (electronic power reduction)
Temperature class	Nominal power 6 W: T1...T4

Note! Other electrical specifications see data sheet 1.1-183



SURFACE TREATMENT

- ◆ The cartridge body is made of stainless steel
- ◆ The slip-on coil and the armature tube are zinc-nickel coated

HYDRAULIC SPECIFICATIONS

Working pressure	$p_{max} = 350$ bar
Maximum volume flow	$Q_{max} = 10$ l/min, see characteristics
Nominal volume flow	$Q_N = 10$ l/min
Leakage oil	Seat tight, max. 0,15 ml / min (approx. 3 drops / min) at 30 cSt
Fluid	Mineral oil, other fluid on request
Viscosity range	12 mm ² /s...320 mm ² /s
Temperature range fluid	NBR -25...+70 °C FKM (D1) -20...+70 °C
Contamination efficiency	Class 20 / 18 / 14
Filtration	Required filtration grade $\beta_{6...10} \geq 75$, see data sheet 1.0-50

ACTUATION

Actuation	Switching solenoid, wet pin push type, pressure tight
Execution	MKY45 / 18x60 (Data sheet 1.1-183)
Connection	Cable gland for cable $\varnothing 6,5...14$ mm

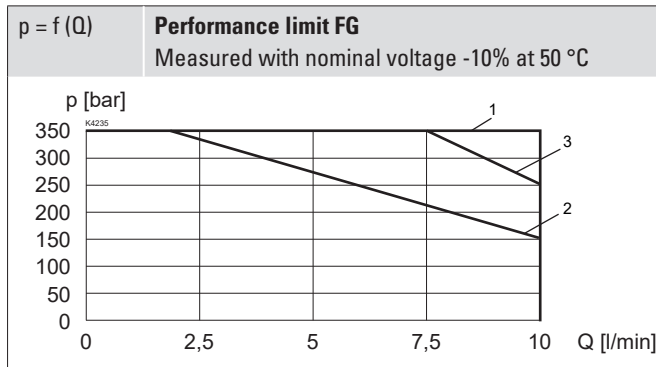
SEALING MATERIAL

NBR or FKM (Viton) as standard, choice in the type code

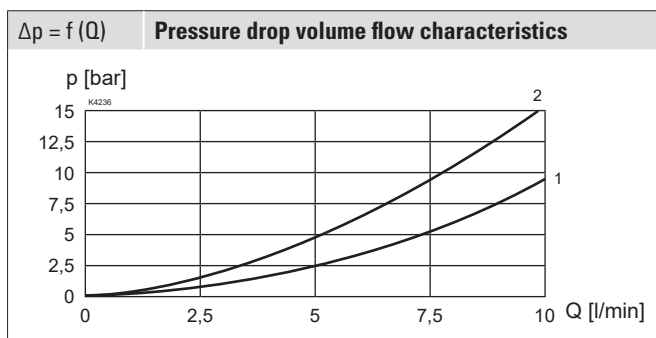
STANDARDS

Cartridge cavity	ISO 7789
Explosion protection	Directive 2014 / 34 / EU (ATEX)
Flameproof enclosure	EN / IEC / UL 60079-1, 31
Cable entry	EN 60079-0, 1, 7, 15, 31
Protection class	EN 60 529
Contamination efficiency	ISO 4406

PERFORMANCE SPECIFICATIONS

 Oil viscosity $\nu = 30 \text{ mm}^2/\text{s}$


Execution	Flow direction			
	1 → 2	2 → 1	2 → 3	3 → 2
SLYPM22-FG-K9	3	1	1	2



Execution	Flow direction			
	1 → 2	2 → 1	2 → 3	3 → 2
SLYPM22-FG-K9	1	1	2	2

COMMISSIONING

Attention! The solenoid coil must only be put into operation, if the requirements of the operating instructions supplied are observed to their full extent. In case of non-observance, no liability can be assumed.



ACCESSORIES

Threaded body	Data sheet 2.9-2xx
Technical explanations	Data sheet 1.0-100
Filtration	Data sheet 1.0-50
Relative duty factor	Data sheet 1.1-430

INSTALLATION NOTES

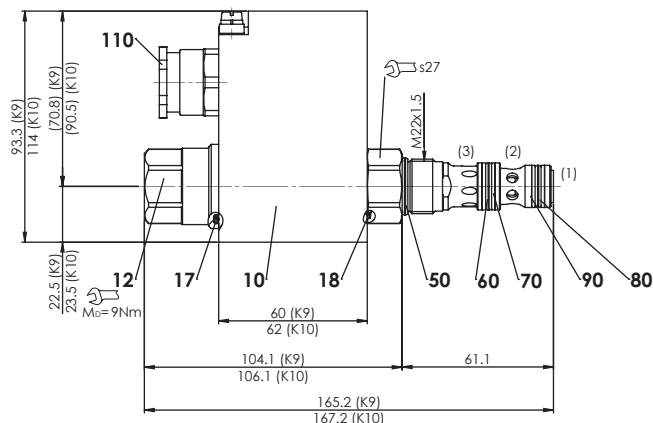
Mounting type	Screw-in cartridge M22 x 1,5
Mounting position	Any, preferably horizontal
Tightening torque	$M_D = 60 \text{ Nm}$ Screw-in cartridge $M_D = 9 \text{ Nm}$ knurled nut

Attention! For stack assembly please observe the remarks in the operating instructions

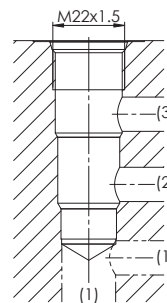


DIMENSIONS

SLYPM22-FG-K..


HYDRAULIC CONNECTION

Cavity drawing according to ISO 7789-22-04-0-98


Note!


For detailed cavity drawing and cavity tools see data sheet 2.13-1004

PARTS LIST

Position	Article	Description
10	263.6...	Solenoid coil MK.45 / 18 x 60
12	154.2203	Knurled nut Ex M18 x 1,5 x 30 K9
17	160.2251	O-ring ID 25,07 x 2,62 (NBR)
18	160.2170	O-ring ID 17,17 x 1,78 (NBR)
50	160.2188	O-ring ID 18,77 x 1,78 (NBR)
	160.6188	O-ring ID 18,77 x 1,78 (FKM)
60	160.2156	O-ring ID 15,60 x 1,78 (NBR)
	160.6156	O-ring ID 15,60 x 1,78 (FKM)
70	049.8196	Backup ring PTSM rd 14,5 x 17,4 x 1,4
80	160.2140	O-ring ID 14,00 x 1,78 (NBR)
	160.6141	O-ring ID 14,00 x 1,78 (FKM)
90	049.8176	Back-up ring PTSM rd 12,7 x 15,6 x 1,4
110	111.1080	Cable gland M20 x 1,5