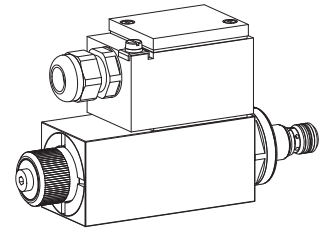


Solenoid operated poppet valve cartridge

- ◆ direct operated
- ◆ intrinsically safe
- ◆ 2/2- and 3/2-way
- ◆ $Q_{max} = 8 \text{ l/min}$
- ◆ $p_{max} = 250 \text{ bar}$

M18 x 1,5
ISO 7789

- Ex ia I Ma
- Ex ia II T5 / T6 Ga
- ⊕ II 1 G Ex ia II C T6, T5
- ⊕ I M1 Ex ia I Ma



DESCRIPTION

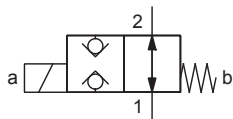
Direct operated 2/2- and 3/2-way solenoid poppet valve in screw-in cartridge construction for cavity according to ISO 7789. By means of the pressure tight switching solenoid, the pressure compensated, metallically sealing poppet spool is either opened or closed. The seat spool guide is sealed by means of an O-ring. The rotatable, easy exchangeable slip-on coil can be supplied in two different executions.

APPLICATION

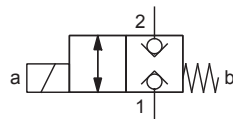
Wandfluh solenoid operated poppet valve cartridges are used where tight closing functions are essential like leakage-free load holding, clamping or gripping. For machining the cartridge cavity in steel and aluminum blocks, cavity tools are available (hire or purchase). Please refer to the data sheets in register 2.13.

SYMBOL

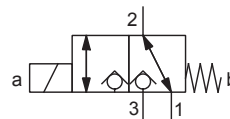
„Normally open“ AB



„Normally closed“ BA



FG



TYPE CODE

	S D Z PM18 - <input type="text"/> - <input type="text"/> / <input type="text"/> / <input type="text"/> - <input type="text"/> # <input type="text"/>
Poppet valve	
Direct operated	
Explosion proof, Ex ia	
Screw-in cartridge M18 x 1,5	
Designation of symbols acc. to table	
Coil resistance	100 Ohm <input type="text" value="100"/> 152 Ohm <input type="text" value="152"/>
Equipment group	I (Mining) <input type="text" value="Z319"/> only in combination with coil resistance 100 Ω II (Surface) <input type="text" value="T6"/>
Connection execution	<input type="text" value="D"/> <input type="text" value="K"/>
Sealing material	NBR <input type="text"/> FKM (Viton) <input type="text" value="D1"/>
Design index (subject to change)	

1.11-2054

CERTIFICATES

	Surface gas and dust	Mining
ATEX / UKEX	x	x
IECEx	x	x
CCC	x	x

The certificates can be found on www.wandfluh.com

GENERAL SPECIFICATIONS

Designation	2/2-, 3/2-poppet valve
Construction	Direct operated
Mounting	Screw-in cartridge construction
Nominal size	M18 x 1,5 according to ISO 7789
Actuation	Ex-protection switching solenoid
Ambient temperature	-20...+45 °C (operation as T6) -20...+60 °C (operation as T1...T5)
Weight	2,32 kg
MTTFd	150 years

ACTUATION

Actuation	Switching solenoid, wet pin push type, pressure tight
Execution	M.Z45 (Data sheet 1.1-185) rotatable in steps of 90 ° and easy exchangeable
Connection	Through cable gland for cable Ø 6...12 mm two phase conductors +/- as well as one ground conductor

HYDRAULIC SPECIFICATIONS

Working pressure	$p_{max} = 250$ bar
Maximum volume flow	$Q_{max} = 8$ l/min, see characteristics
Leakage oil	Seat tight
Fluid	Mineral oil, other fluid on request
Viscosity range	12 mm ² /s...320 mm ² /s
Temperature range fluid	-20...+45 °C (operation as T6) -20...+60 °C (operation as T1...T5)
Contamination efficiency	Class 20 / 18 / 14
Filtration	Required filtration grade $\beta_{10...16} \geq 75$, see data sheet 1.0-50

ELECTRICAL SPECIFICATIONS

Protection class	IP65
Relative duty factor	Continuous operation
Switching frequency	1'800 / h
Service life time	10 ⁷ (number of switching cycles, theoretically)
Voltage tolerance	± 10 % with regard to nominal voltage
Limiting current at 50 °C	$I_{min} = 90$ mA (100 Ω execution) $I_{min} = 64$ mA (152 Ω execution)
Temperature class	T1...T6
Coil resistance	100 Ω, 152 Ω
Minimum power consumption	$P_{min} = 0,81$ W (100 Ω execution) $P_{min} = 0,62$ W (152 Ω execution)

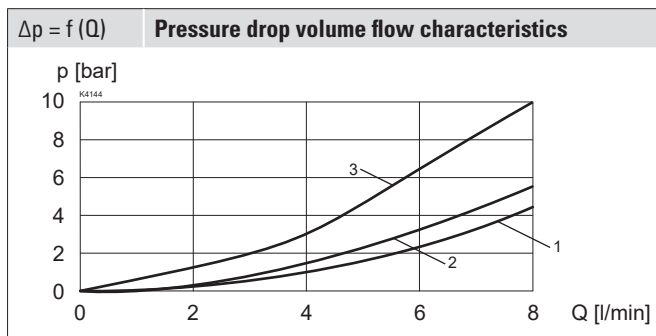
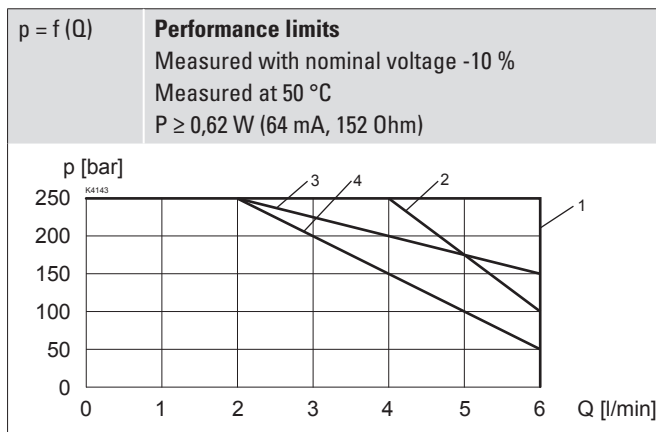
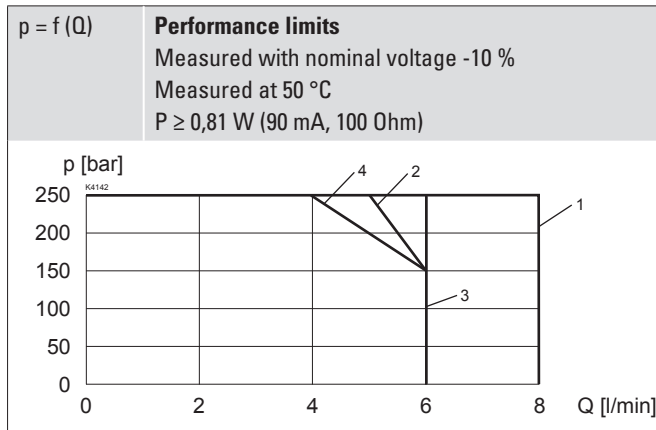
Note! Other electrical specifications see data sheet 1.1-185



ACCESSORIES

Technical explanations	Data sheet 1.0-100
Hydraulic fluids	Data sheet 1.0-50
Filtration	Data sheet 1.0-50
Relative duty factor	Data sheet 1.1-430

PERFORMANCE SPECIFICATIONS

 Oil viscosity $\nu = 30 \text{ mm}^2/\text{s}$


Execution	Flow direction			
	1 → 2	2 → 1	2 → 3	3 → 2
SDZPM18-AB	1	1	-	-
SDZPM18-BA	1	1	-	-
SDZPM18-FG	2	3	3	4

Execution	Flow direction			
	1 → 2	2 → 1	2 → 3	3 → 2
SDZPM18-AB	1	1	-	-
SDZPM18-BA	1	1	-	-
SDZPM18-FG	2	1	3	4

Execution	Flow direction			
	1 → 2	2 → 1	2 → 3	3 → 2
SDZPM18-AB	2	1	-	-
SDZPM18-BA	1	1	-	-
SDZPM18-FG	2	2	3	3

STANDARDS

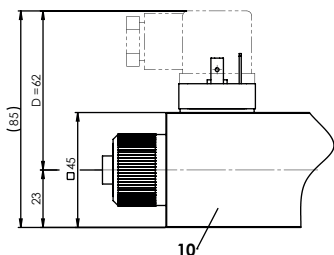
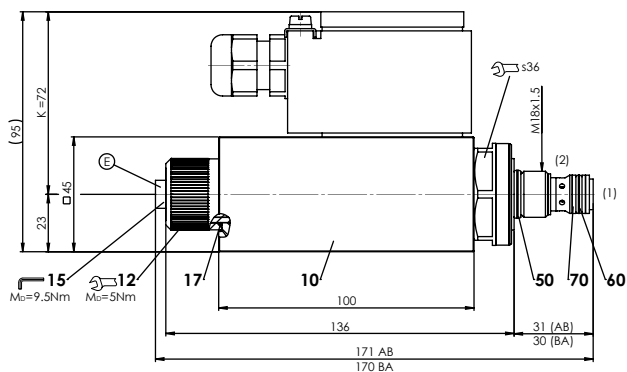
Cartridge cavity	ISO 7789
Explosion protection	Directive 2014 / 34 / EU (ATEX)
Flameproof enclosure	EN / IEC 60079-1 / 31
Cable entry	EN 60079-0, 1, 7, 15, 31
Protection class	EN 60 529
Contamination efficiency	ISO 4406

INSTALLATION NOTES

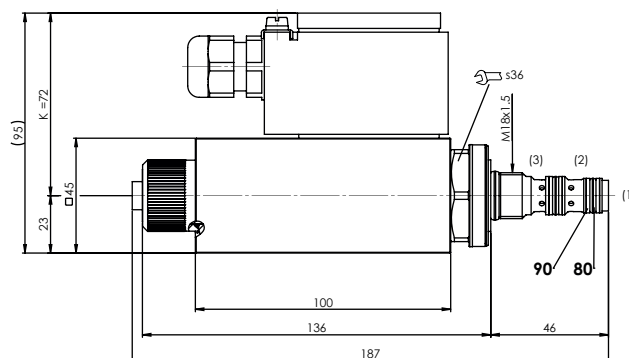
Mounting type	Screw-in cartridge M18 x 1,5
Mounting position	Any, preferably horizontal
Tightening torque	$M_D = 40 \text{ Nm}$ Screw-in cartridge $M_D = 5 \text{ Nm}$ knurled nut

DIMENSIONS

SDZPM18-AB / BA



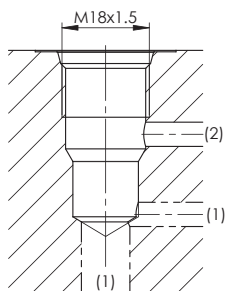
SDZPM18-FG


SEALING MATERIAL

NBR or FKM (Viton) as standard, choice in the type code

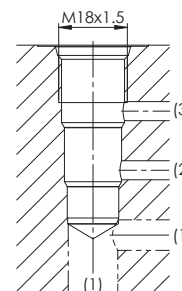
HYDRAULIC CONNECTION

Cavity drawing according to ISO 7789-18-01-0-98


Note!


For detailed cavity drawing and cavity tools see data sheet 2.13-1002

Cavity drawing according to Wandfluh standard


Note!


For detailed cavity drawing and cavity tools see data sheet 2.13-1020

PARTS LIST

Position	Article	Description
10	263.66..	Solenoid coil M.Z45-...
12	032.9614	Knurled nut M22x 1 x 22
15	239.2033	Screw plug HB0 (incl. seal)
17	160.2204	O-ring ID 20,35 x 1,78 (NBR)
50	160.2156	O-ring ID 15,60 x 1,78 (NBR)
	160.6156	O-ring ID 15,60 x 1,78 (FKM)
60	160.2111	O-ring ID 11,11 x 1,78 (NBR)
	160.6111	O-ring ID 11,11 x 1,78 (FKM)
70	049.8156	Back-up ring PTSM rd 10,1 x 13 x 1,4
80	160.2093	O-ring ID 9,25 x 1,78 (NBR)
	160.6092	O-ring ID 9,25 x 1,78 (FKM)
90	049.8146	Back-up ring PTSM rd 9,1 x 12 x 1,4

SURFACE TREATMENT

- ◆ The cartridge body is zinc coated
- ◆ The slip-on coil and the armature tube are zinc-nickel coated

COMMISSIONING
Attention!


Intrinsically safe valves must be controlled only by a suitable, certified power supply from out of the hazardous area (see Operating Instructions). The selection of the power supply and the wiring must be carried out by qualified personnel. Recommended power supplies and safety-related limit values according to data sheet 1.1-185

Wandfluh AG Postfach CH-3714 Frutigen
 Tel. +41 33 672 72 72 Fax +41 33 672 72 12 sales@wandfluh.com