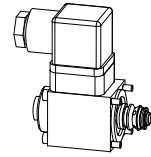


Solenoid poppet valve cartridge

- normally closed
- $Q_{max} = 6 \text{ l/min}$
- $p_{max} = 350 \text{ bar}$

NG3

DESCRIPTION

The 2/2-way seating valve in slip-in cartridge form is the central control element of virtually all directly-controlled seating valves in nominal size 3-Mini. The seating valve cartridge, the spring, one O-ring and a washer are supplied separately. A solenoid (VDE standard 0580) is an optional addition.

Important: at the time the valve is taken into service, the valve must be vented under pressure (max. 2 revolutions of screw E).

FUNCTION

The seating valve piston is held against the spring by the pressure-tight control solenoid. Because the seat-piston design has equal surface areas on both sides and since the seat/piston construction is balanced in terms of pressure, no undesirable closing and opening forces are generated. As a result, oil can flow in both directions through the seating valve. The seat/piston guide is sealed with an O-ring. The seat with a metallic seal closes off the valve so that there is no leakage oil.

APPLICATION

Wandfluh poppet valves can be used anywhere absolutely leak tight closing functions are important. Completely sealed loading, gripping and clamping operations are all important functions which Wandfluh poppet valves can perform. Cartridge type poppet valves can be neatly accommodated in valve blocks. Cavity tools are available for hire or sale for machining aluminium or steel.

See data sheet register no. 2.13.

TYPE CODE

Poppet valve cartridge				2	2	03		#	<input type="checkbox"/>
Poppet valve cartridge with solenoid				<input type="checkbox"/>	2	2	03	-	<input type="checkbox"/>
Medium-solenoid	<input type="checkbox"/>	<input type="checkbox"/>	<input type="checkbox"/>	<input type="checkbox"/>	<input type="checkbox"/>	<input type="checkbox"/>	<input type="checkbox"/>	<input type="checkbox"/>	<input type="checkbox"/>
Super-solenoid	<input type="checkbox"/>	<input type="checkbox"/>	<input type="checkbox"/>	<input type="checkbox"/>	<input type="checkbox"/>	<input type="checkbox"/>	<input type="checkbox"/>	<input type="checkbox"/>	<input type="checkbox"/>
2-way (Connections)									
2 Position									
Nominal size 3									
Nominal voltage U_N	12 VDC	<input type="checkbox"/>	G12	110 VAC	<input type="checkbox"/>	R110			
	24 VDC	<input type="checkbox"/>	G24	115 VAC	<input type="checkbox"/>	R115			
				230 VAC	<input type="checkbox"/>	R230			
Design-Index (Subject to change)									

GENERAL SPECIFICATIONS

Description	2/2-way poppet valve
Nominal size	NG3
Construction	Direct operated poppet valve
Operations	Solenoid
Mounting	cartridge form
	4 solenoid fixing screws M3
Ambient temperature	-20...+50 °C
Mounting position	any
Fastening torque	$M_D = 1,2 \text{ Nm}$ (quality 8.8)
Weight: 2203	$m = 0,015 \text{ kg}$
. 2203- . .	$m = 0,225 \text{ kg}$
Volume flow direction	any

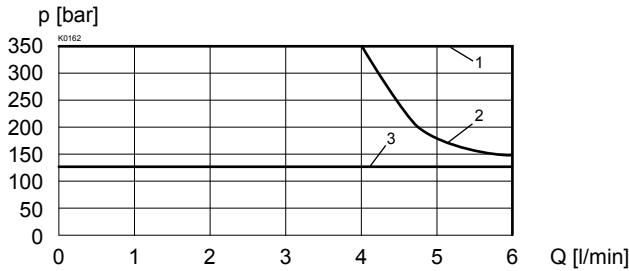
ELECTRICAL CONTROL

Construction	Solenoid, wet pin push type, pressure tight
Standard-nominal flow	$U_N = 12 \text{ VDC}$ $U_N = 24 \text{ VDC}$ $U_N = 110 \text{ VAC}^*$ $U_N = 115 \text{ VAC}^*$ $U_N = 230 \text{ VAC}^*$ AC = 50 to 60 Hz
	* Rectifier integrated in the plug
	Other nominal voltages and nominal performances on request
Voltage tolerance	±10% of nominal voltage
Protection class	IP 65 to EN 60529
Relative duty factor	100% DF (see data sheet 1.1-430)
Switching cycles	15000/h
Operating life	10^7 (number of switching cycles, theoretically)
Connections/	Over device plug connection to ISO4400/Power supply DIN 43650, (2P+E), other connections on request.
Solenoid:	- Medium SIN29V (data sheet 1.1-80) - Super SIS29V (data sheet 1.1-85)

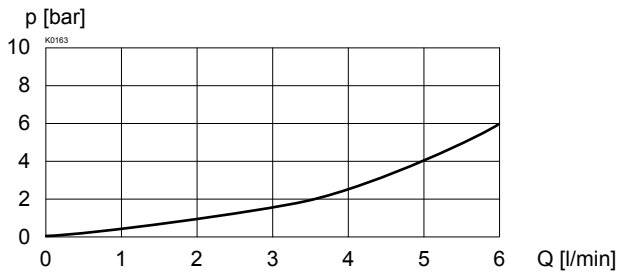
HYDRAULIC SPECIFICATIONS

Fluid	Mineral oil, other fluid on request
Contamination efficiency	ISO 4406:1999, class 20/18/14 (Required filtration grade $\beta_{10...16} \geq 75$) refer to data sheet 1.0-50/2
Viscosity range	12 mm ² /s...320 mm ² /s
Fluid temperature	-20...+70 °C
Working pressure	Medium: $p_{max} = 125 \text{ bar}$ Super: $p_{max} = 350 \text{ bar}$
Max. volume flow	$Q_{max} = 6 \text{ l/min}$, see characteristics

SYMBOLS

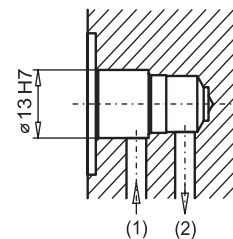
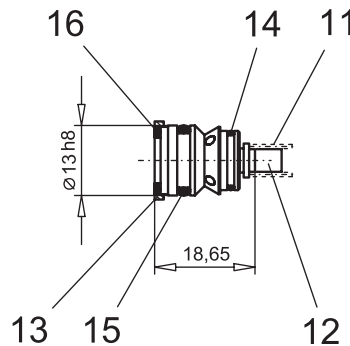
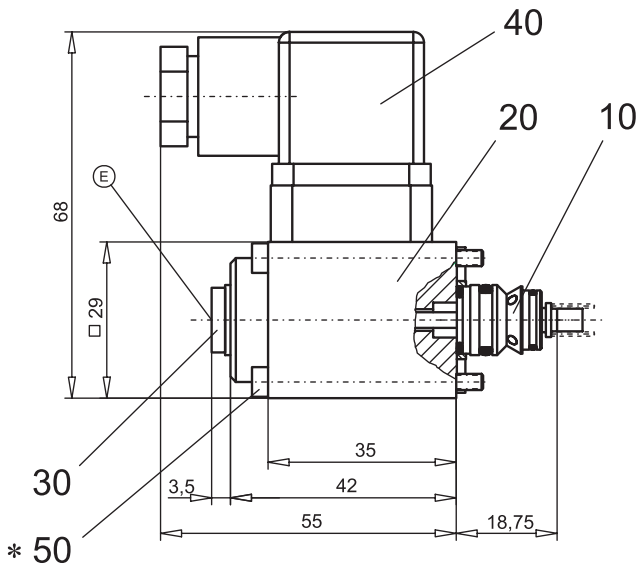

CHARACTERISTICS Oil viscosity $\nu = 30 \text{ mm}^2/\text{s}$
 $p = f(Q)$ Performance limit at -10%


Type	Flow direction	
	1 → 2	2 → 1
M2203	3	3
S2203	1	2

 $\Delta p = f(Q)$ Pressure loss / flow characteristics

DIMENSIONS

. 2203- ...

2203



For detailed cavity drawing and cavity tools see data sheet 2.13-1012

PARTS LIST

Position	Article	Description
10	500.0002	Poppet valve cartridge 2203
11	052.1607	Spring 0,8x6x8
12	222.0097	Pin
13	212.1580	Washer
14	160.2090	O-ring ID 9,00x1,00
15	160.2093	O-ring ID 9,25x1,78
16	160.1095	O-ring ID 9,50x1,6
20	260.2... 260.3...	Medium-solenoid SIN29V Super-solenoid SIS29V
30	239.2033	Plug (incl. seal) HB0
40	219.2002	Plug
50	246.0141	Socket head cap screw M3x40 DIN 912

* Cartridge supplied with fastening screw M3x40 for steel bodies/blocs. For aluminium bodies/blocs longer screws are recommended (min. 2 screw diameter).

E = air bleed screw

ACCESSORIES

Cartridge built-in flange- or sandwich body:

 Flange Register 1.11
 Sandwich Register 1.11

Special tool 983.2005 to poppet valve cartridge 2203

Explications techniques voir feuille 1.0-100