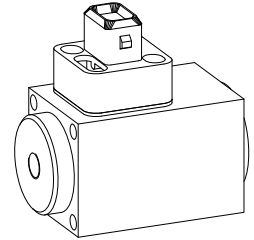


Solenoids with special connection executions

LIST OF CONNECTION EXECUTIONS

Standard solenoid Data sheet no.		Connection executions / Dimensions H in mm (incl. standard solenoid)											
		Standard DIN connector	M92 AMP Junior Timer	M240 Deutsch	M47 Flying leads with socket	M56 Cable with socket	M55 Flying leads without socket	M28 Cable with connector VDC	M28 Cable with connector VAC	M34 Bayonet connector VDC	M34 Bayonet connector VAC	M209 Screw clamp	M222 Screw clamp and elec- tric wiring
SIN29V 1.1-80 SIS29V 1.1-85 PI29V 1.1-90		39,5	42,2	59.7	40,3	45	29	57	67,5	57	67,5	41,3	41,5
BEIIV 1.1-100 SIN35V 1.1-105 SIS35V 1.1-110 PI35V 1.1-115		45,5	48,2	65.7	46,3	51	35	63	73,5	63	73,5	47,3	47,5
SIN45V 1.1-120 SIS45V 1.1-125 PI45V 1.1-130		55,5	58,2	75.7	56,3	61	45	73	83,5	73	83,5	57,3	57,5
SIN60V 1.1-145 SIS60V 1.1-150 PI60V 1.1-155		70,5	73,2	90.7	71,3	76	60	88	98,5	88	98,5	72,3	72,5

ORDERING EXAMPLE FOR SOLENOID

SI S 35 V - - #

Switching solenoid
Industrial execution

Super

Square 35 mm housing

Solenoid completely potted

Standard nominal voltage U_N

12 VDC	<input type="text" value="G12"/>
24 VDC	<input type="text" value="G24"/>
115 VAC	<input type="text" value="R115"/> *
230 VAC	<input type="text" value="R230"/> *

AC= 50 to 60 Hz
* Rectifier integrated in the connector socket
Other nominal voltages and nominal powers on request

Additional designation for special connection execution

Design-Index (Subject to change)

ORDERING EXAMPLE FOR VALVE

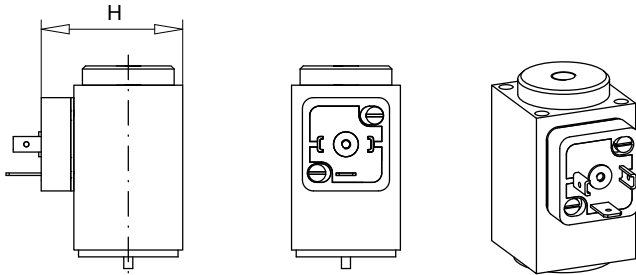
 AS32061a - G24 -

NOTE!

Manual override, resp. screw plug are not included in the scope of delivery. They have to be ordered separately (see data sheet 1.1-300 and 1.1-310).

TYPE LIST / DIMENSIONS / GENERAL SPECIFICATIONS

Standard execution with DIN connector



Example: SIS35V-G24

- 3-pole 2 P+E
- DC and AC execution available
- Connector socket plastic
- Protection class IP65 with corresponding mating connector (not included in the scope of delivery) and professional assembly

Execution: **M92**
with AMP Junior-Timer connector

Example: SIS35V-G24-M92

- 2-pole
- DC execution available
- < 120 V external ground recommended
- > 120 V external ground necessary
- Connector socket plastic
- Protection class IP65 with corresponding mating connector (not included in the scope of delivery) and professional assembly

Execution: **M240**
with Deutsch connector

Example: SIS35V-G24-M240

- 2-pole
- DC execution available
- < 120 V external ground recommended
- > 120 V external ground necessary
- Connector socket plastic
- Protection class IP67 and IP69K with corresponding mating connector (not included in the scope of delivery) and professional assembly

Execution: **M47**
with flying leads

Example: SIS35V-G24-M47

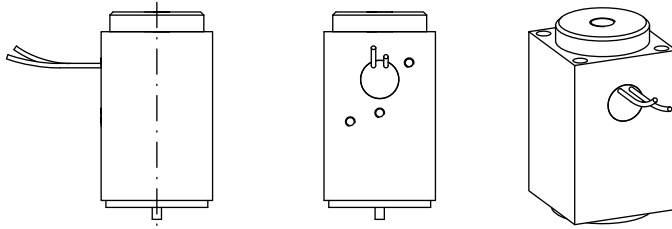
- 2-pole (2x 0,25 mm²) Radox 155
- Cable length 200 mm
- DC and AC execution available
- < 120 V external ground recommended
- > 120 V external ground necessary
- Flying leads housing plastic
- Protection class IP65 with professional assembly

Execution: **M56**
with cable

Example: SIS35V-G24-M56

- 3-pole 3x 0,75 mm² thermoplastic
- Cable length 1500 mm
- Cable diameter 6 mm
- DC and AC execution available
- Cable housing plastic
- Protection class IP67 with professional assembly

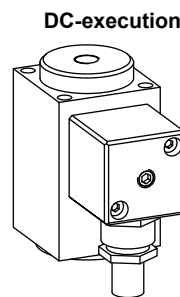
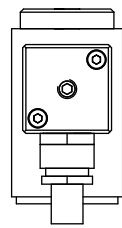
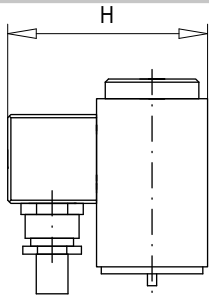
TYPE LIST / DIMENSIONS / GENERAL SPECIFICATIONS



Execution: **M55**
with flying leads

Example: SIS35V-G24-M55

- 2-pole (2 x 0,25 mm²) Radox 155
- Cable length 500 mm
- DC execution available
- < 120 V external ground recommended
- > 120 V external ground necessary
- Protection class IP65 with professional assembly



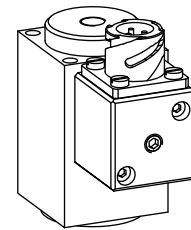
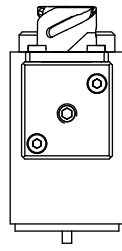
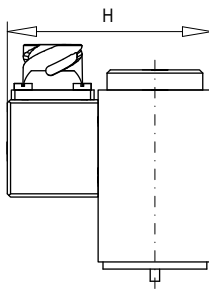
DC-execution

AC-execution

Execution: **M28**
with cable

Example: SIS35V-G24-M28

- 3-pole 2 x 1 mm² [+E] (acc. to IEC 332)
- Cable length 1500 mm
- DC and AC execution available
- Cable housing steel
- Protection class IP67 with professional assembly
- Rectifier housing plastic, h 10,5 mm



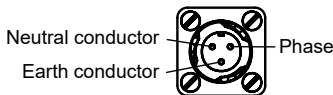
DC-execution

AC-execution

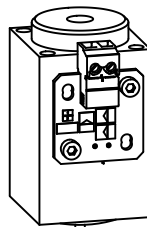
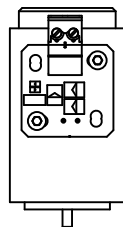
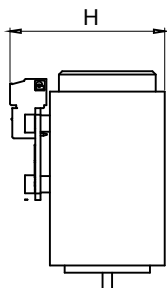
Execution: **M34**
with bayonet connector

Example: SIS35V-G24-M34

- 3-pole
- DC and AC execution available
- Connector housing steel
- Protection class IP67 with corresponding mating connector (not included in the scope of delivery) and professional assembly



- Rectifier housing plastic, h 10,5 mm

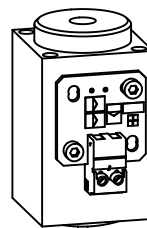
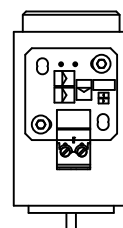
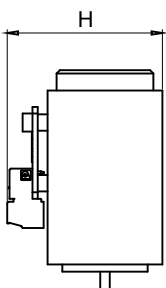


M209a

Execution: **M209** with screw terminal
Example: SIS35V-G24-M209a

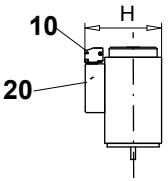
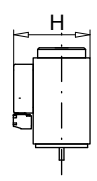
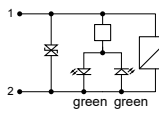
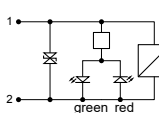
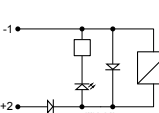
- 2-pole
- DC version available up to 28 VDC
- Screw terminal plastic
- Printed circuit board protected with protective varnish

- Mating connector article no. 219.2802



M209b

TYPE LIST / DIMENSIONS / GENERAL SPECIFICATIONS

Connector alignment		Electric wiring
		
M222a	M222b	
M222c	M222d	
M222e	M222f	

Execution: **M222** with screw terminal

Example: SIS35V-G24-M222a

- 2-pole
- DC executions available up to 28 VDC
- Screw terminal plastic
- Connector housing plastic, transparent, removable
- Printed circuit board protected with protective varnish

Protection class IP40 with plastic hood installed

$I_{\max} = 1,0 \text{ A at } 130 \text{ }^{\circ}\text{C}$
 $I_{\max} = 1,5 \text{ A at } 120 \text{ }^{\circ}\text{C}$
 $I_{\max} = 2,0 \text{ A at } 110 \text{ }^{\circ}\text{C}$

PARTS LIST

Position	Article	Description
10	219.2802	Mating connector (M209 and M222)
20	088.1116	Plastic hood (only M222)


OPERATION SAFETY

Caution: To avoid overheating, the solenoid may only be energised in combination with a valve.


NOTE!

For additional specifications and performance data refer to the corresponding data sheet of the standard solenoid.

Technical explanation see data sheet 1.1-400