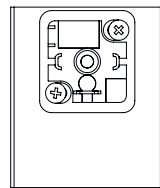
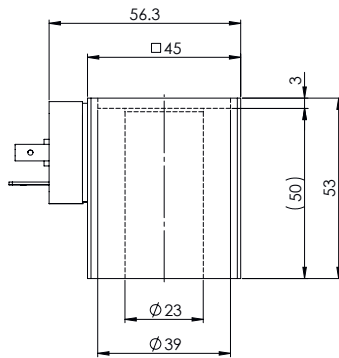
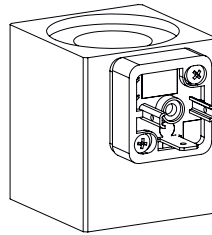




TYPE LISTE/DIMENSIONS/GENERAL SPECIFICATIONS

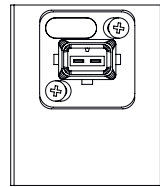
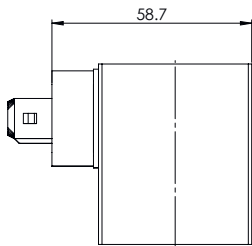


Valve side

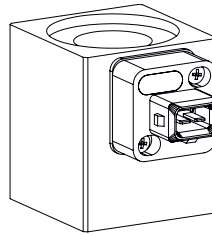


Execution: M **D** S45/23x50-...

- 3 pole 2 P+E
  - DC- and AC-execution available
  - Connector socket plastic
  - Protection class IP65
- With corresponding mating connector (not included in delivery) and professional assembly

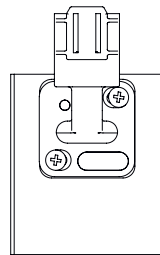
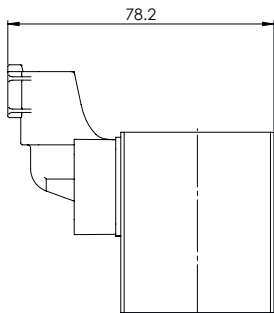


Valve side

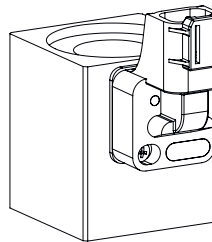


Execution: M **J** S45/23 x50-...

- 2 pole 2P
  - DC-execution available
  - only for  $U_N \leq 75$  VDC
  - Connector socket plastic
  - Protection class IP65
- With corresponding mating connector (not included in delivery) and professional assembly

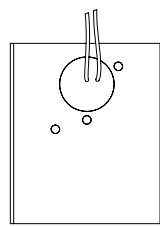
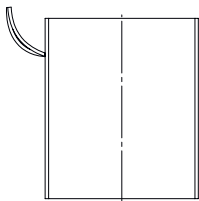


Valve side

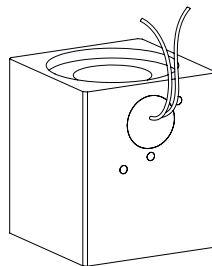


Execution: M **G** S45/23x50

- 2 pole 2P
  - DC-execution available
  - only for  $U_N \leq 75$  VDC
  - Protection class IP 67 and 69 K
- With corresponding mating connector (not included in delivery) and professional assembly

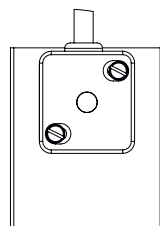
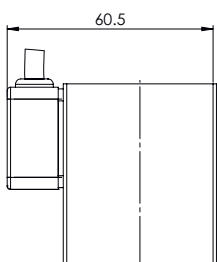


Valve side

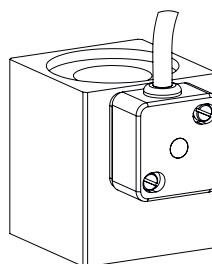


Execution: M **L** S45/23 x50-...

- 2 pole 2P (2x 0,25 mm<sup>2</sup>) Radox 155
  - Cable length 500 mm
  - DC-execution available
  - only for  $U_N \leq 75$ VDC
  - Protection class IP65
- With professional assembly

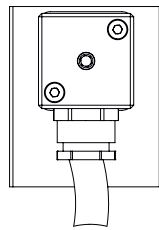
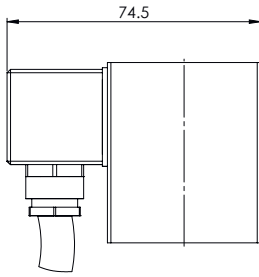


Valve side

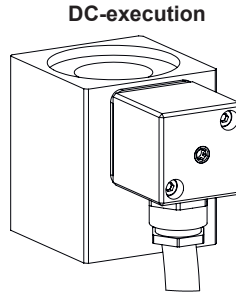


Execution: M **K** S45/23x50-...

- 3 pole 2P+E 3x 0,75 mm<sup>2</sup> Thermoplast
  - Cable length 1500 mm
  - Cable diameter 6 mm
  - DC- and AC-execution available
  - Cable housing plastic
  - Protection class IP67
- With professional assembly



Valve side



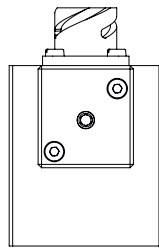
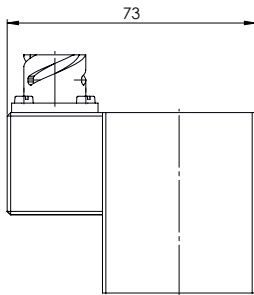
DC-execution

AC-execution

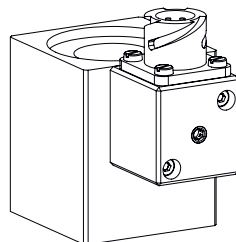
Execution: M **K** S45/23 x 50-... **M28**

- 3 pole 2P+E 2x 1 mm<sup>2</sup> [E] (acc. to IEC 332)
- Cable length 1500 mm
- DC- and AC-execution available
- Connector housing steel
- Protection class IP67
- With professional assembly

- Plastic rectifier housing, h+10,5 mm



Valve side



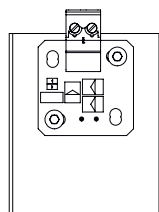
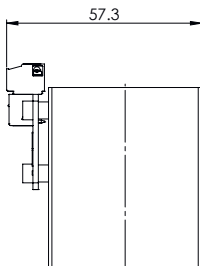
DC-execution

AC-execution

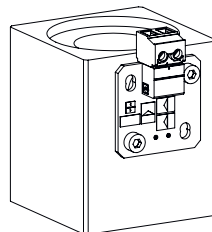
Execution: M **B** S45/23 x 50-...

- 3 pole 2P+E
- MiL VG 95234
- DC- and AC-execution available
- Connector housing steel
- Protection class IP67
- With corresponding mating connector (not included in delivery) and professional assembly

- Plastic rectifier housing, h+10,5 mm



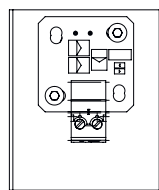
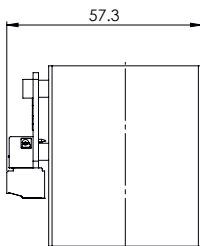
Valve side



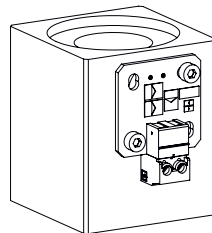
M209a

Execution: M **X** S45/23 x 50-... **M209**

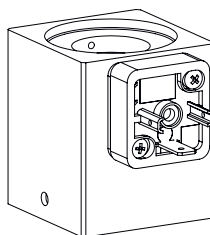
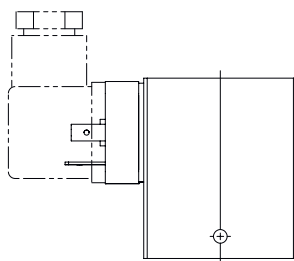
- 2 pole
- DC-version available up to 28 VDC
- Screw clamp plastic
- Printed circuit board protected with conformal coating



Valve side



M209b

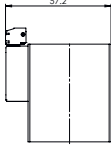
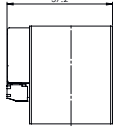
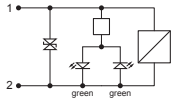
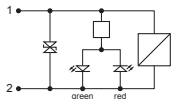
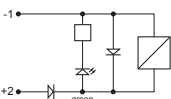


Valve side

Execution: M . S45/23 x 50-... **M35**  
M . S45/23 x 50-... **M../35**

- With pressure equalising bore for underwater applications in oil bath
- Oil tank separated from water by a membrane
- With connection type «D», «L», «X»
- DC-execution available

Attention:  
In case of the connection execution «D» only plugs with the additional designation «Z23» must be utilised (not included in the scope of supply of the solenoid)

Plug alignment		Electric wiring
		
M222a	M222b	
M222c	M222d	
M222e	M222f	

Execution: M  S45/23x50-... **M222**

- 2 pole
- DC-version available up to 28 VDC
- Screw clamp plastic
- Plug housing plastic, transparent, removable
- Printed circuit board protected with conformal coating
- Protection type IP40 with plastic hood installed

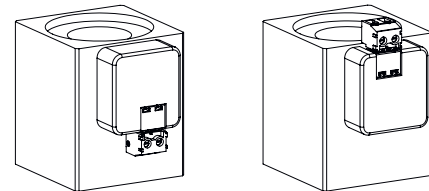
$I_{max} = 1,0 \text{ A at } 130 \text{ }^\circ\text{C}$   
 $I_{max} = 1,5 \text{ A at } 120 \text{ }^\circ\text{C}$   
 $I_{max} = 2,0 \text{ A at } 110 \text{ }^\circ\text{C}$

**PARTS LIST**

Position	Article	Description
10	219.2802	Mating connector (M209 and M222)
20	088.1116	Plastic hood (only M222)

M222b/d/f

M222a/c/e



Valve side

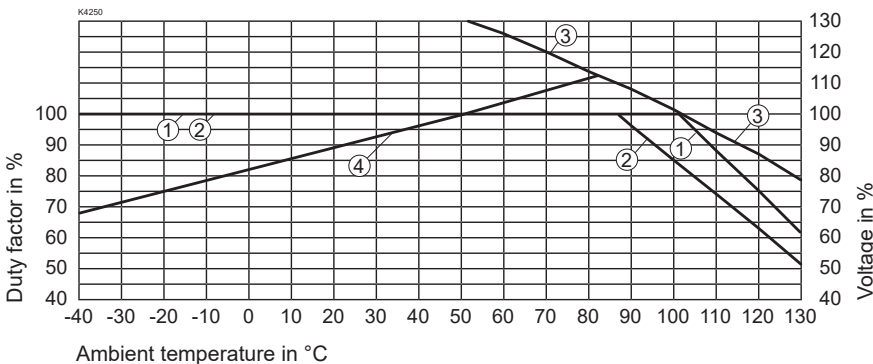


**NOTE!**

Technical explanation see data sheet 1.1-400/410/430

**DUTY FACTOR / TEMPERATURE**

**TEMPERATURE / VOLTAGE**



- ① Duty factor at nominal voltage
- ② Duty factor at 110% nominal voltage
- ③ Max. voltage in % for 100% duty factor
- ④ Min. voltage in % for proportional limiting current at 100% duty factor