

SOLENOID OPERATED POPPET VALVE CARTRIDGE

PILOT OPERATED

SOLENOID OPERATED POPPET VALVE CARTRIDGE

Pilot operated	SV_P_
Sizes	
Metric ISO:	M18 x 1,5 M22 x 1,5 M33 x 2 M42 x 2
Metric special: UNF inch:	M20 x 1,5 3/4 "-16 UNF
Q _{max}	300 l/min
p _{max}	350 bar
Nominal voltage	12 VDC or 24 VDC 115 VAC or 230 VAC

DESCRIPTION

Pilot operated 2/2-way solenoid operated poppet valve cartridge for cavity according to ISO 7789. The AB and CB executions are closed in the energised position, the BA and BC executions in the deenergised position. The main spool closes practically leakage-free by means of the applied pressure.



Application example oil drilling platform



Solenoid operated poppet valve cartridge SVSPM33

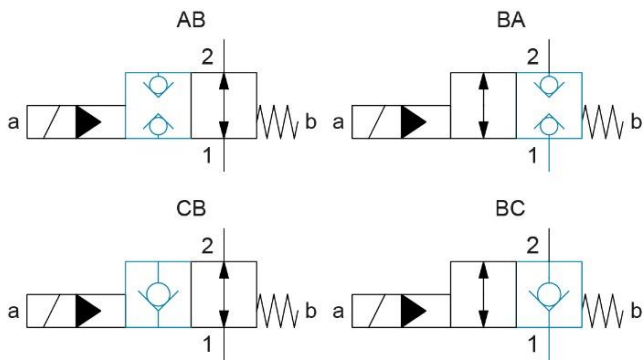


Solenoid operated poppet valve cartridge explosion protected SVYPM22



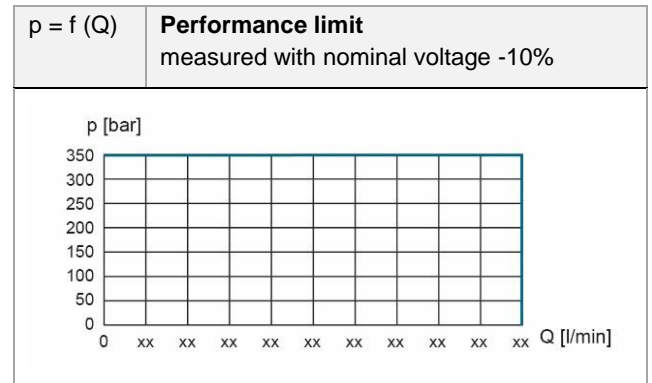
SYMBOL

The following options are available for the solenoid operated poppet valves



Types AB and BA are closed from both sides.
Types CB and BC are only closed from 2 → 1.

ADJUSTMENT CHARACTERISTIC



The volume flow varies according to the size of the valve

ELECTRONICS



Available solenoid coils (standard and explosion-protected)

FEATURES

- Pilot operated
- Low hysteresis
- High volume flow
- Practically leakage-free
- Precise spool fit
- Many different sizes

